

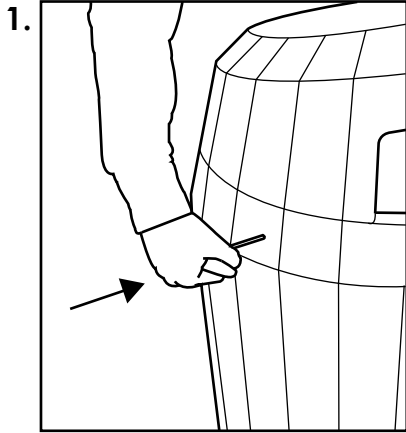
SHERWOOD™ LITTER BIN

Operator Instruction Leaflet

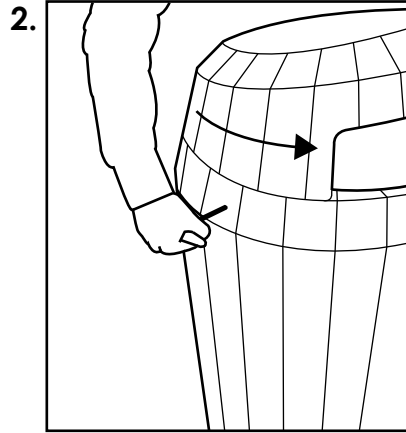


IMPORTANT NOTE: ENSURE THAT ALL RELEVANT PERSONNEL READ THESE INSTRUCTIONS PRIOR TO USE

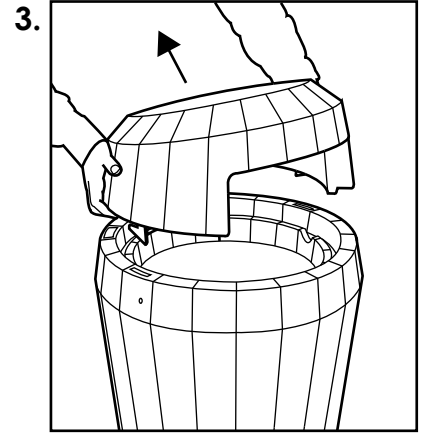
To Remove and Replace Hood (Sack Retention or Solid Liner Model)



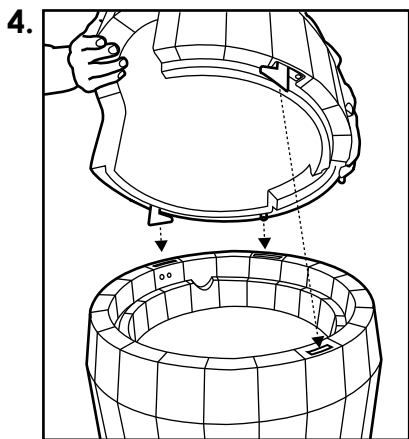
Insert key into keyhole, located at the side of the bin



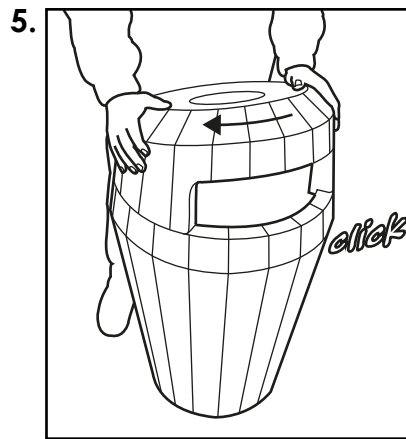
With the key held in place, twist the Hood anti-clockwise



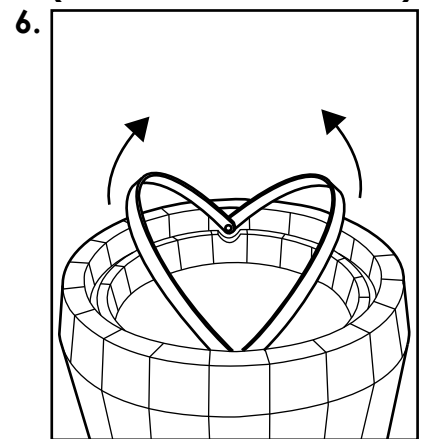
Once twisted, lift the hood upwards to remove



When replacing the hood, ensure the fixtures are aligned with the apertures on the bin, as shown

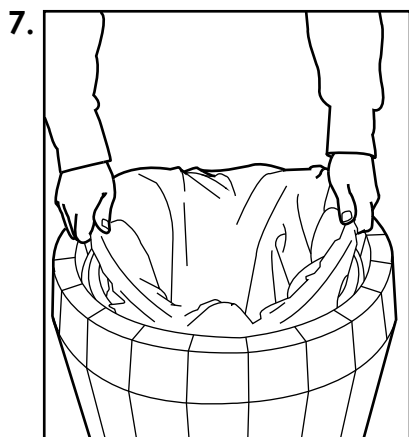


When hood is seated, twist clockwise to lock back into position

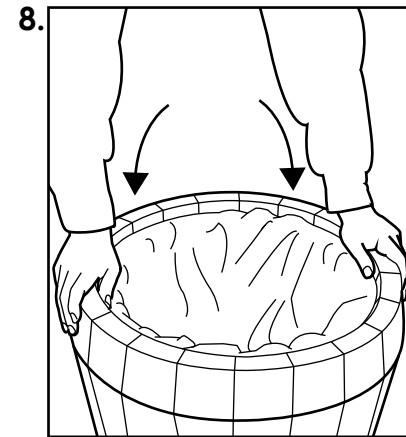


To Secure a Sack in Position (Sack Retention Model)

Pull the sack bands upwards

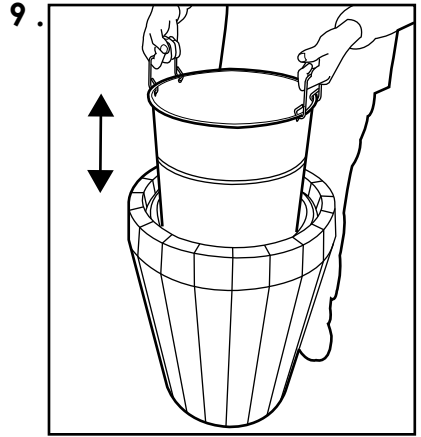


Pull the sack up from within the bin, and wrap over the sack bands



Push the sack bands back down to secure the sack

To Remove and Replace Solid Liner

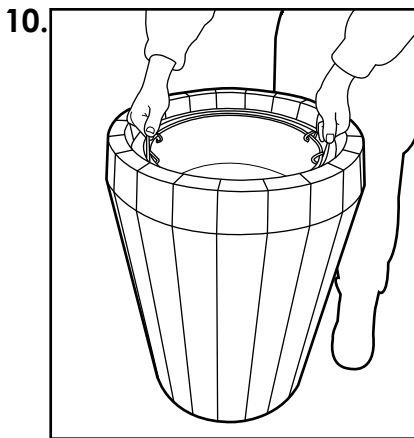


Use the handles on the Liner rim to lift the Liner from, or lower it back into, the bin

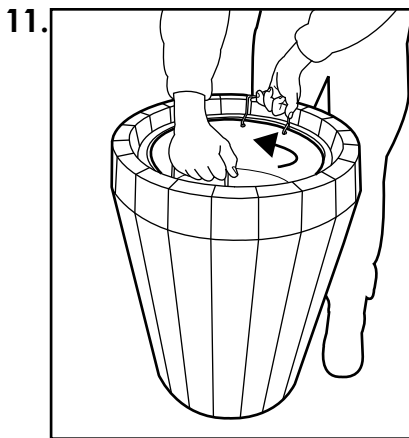
SHERWOOD™ LITTER BIN



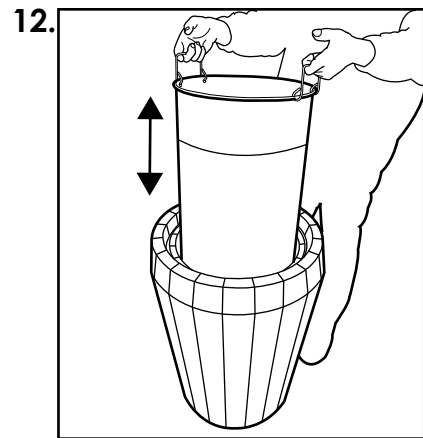
To Remove and Replace Locking Liner



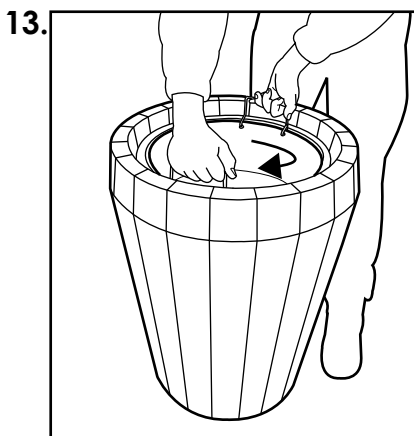
Take hold of the Liner using the handles on the Liner rim



Twist the Liner anti-clockwise to unlock it from the base of the bin



Use the handles on the Liner rim to lift the Liner from, or lower it back into, the bin



Replace the Liner and twist clockwise fully to lock in position



AND SHERWOOD LITTER BIN ARE TRADEMARKS OF GLASDON GROUP OR ITS SUBSIDIARIES IN THE U.K. AND OTHER COUNTRIES

- A planned maintenance schedule of regular inspection is recommended, replacing components as necessary.
- Replacement components are available direct from GLASDON UK LIMITED.
- GLASDON UK LIMITED cannot be held responsible for claims arising from incorrect installation, unauthorised modifications or misuse of the product.

Issue 1 December 2012 C000/0431
© Copyright 2012
Glasdon UK Ltd reserve the right to alter specifications without prior notice.



Glasdon

Glasdon U.K. Limited

Preston New Road
BLACKPOOL
Lancashire FY4 4UL
Tel: 01253 600410

Fax: 01253 792558

email: sales@glasdon-uk.co.uk

web: www.glasdon.com