



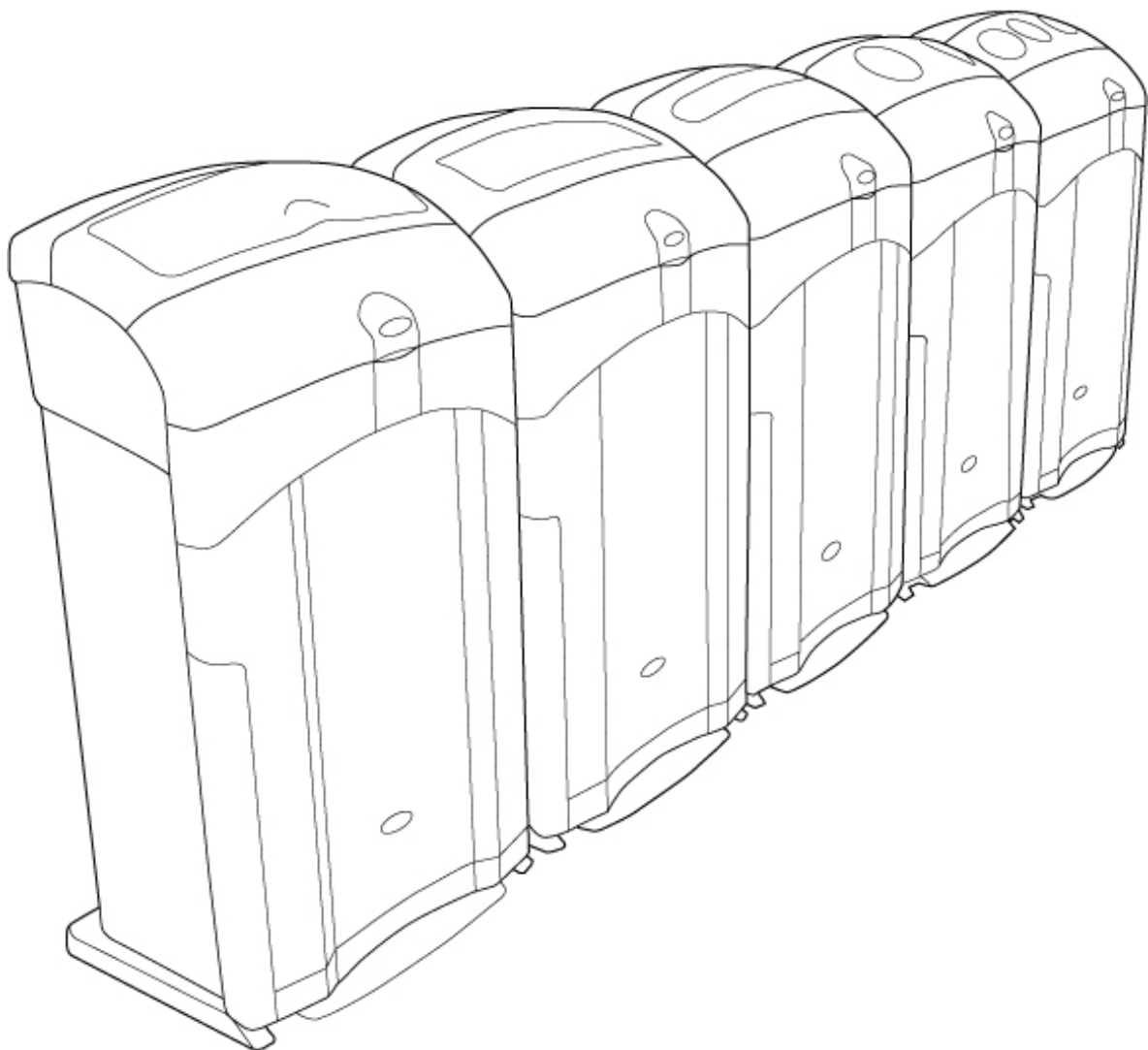
Nexus™ 100

and

Nexus Cup Bank

Recycling System

USER MANUAL AND INSTALLATION INSTRUCTIONS



IMPORTANT NOTE: ENSURE THAT ALL RELEVANT PERSONNEL READ THE POINTS LISTED WITHIN THIS LEAFLET AND THAT A COPY IS GIVEN TO STAFF INVOLVED WITH THE INSTALLATION AND MAINTENANCE OF THIS PRODUCT

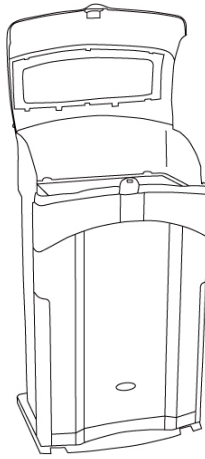
OPENING YOUR NEXUS 100

1.



Using the finger lip at the front of the lid, lift the lid upwards

2.



Lift the lid to the upright position until the lid is held by the stay feature.

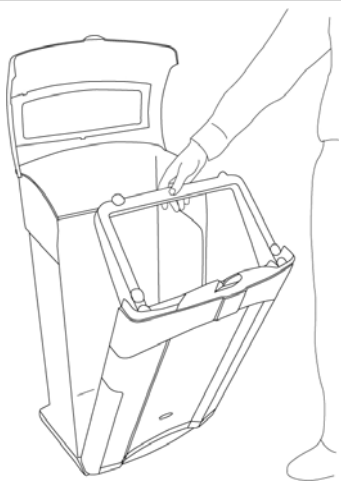
3.



Tilt the door forward until the door is held in the open position.

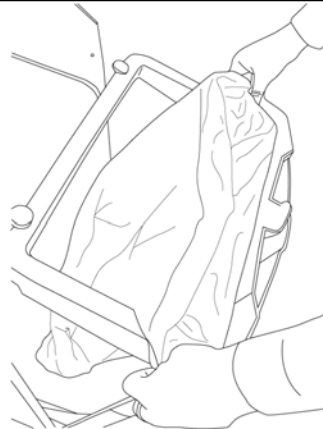
USING THE SACK RETENTION DEVICE

4.



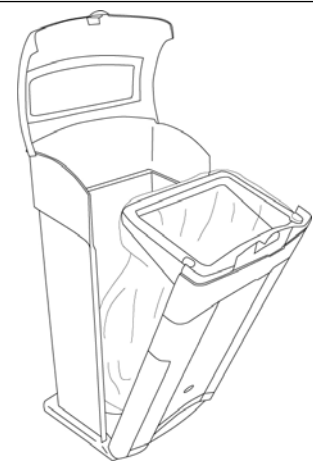
Once the door is tilted forward the sack retention band is exposed.

5.



Install the correct size sack (406 x 727 x 1093mm - available from Glasdon) by firstly hooking onto the retention lugs at the front of the door.

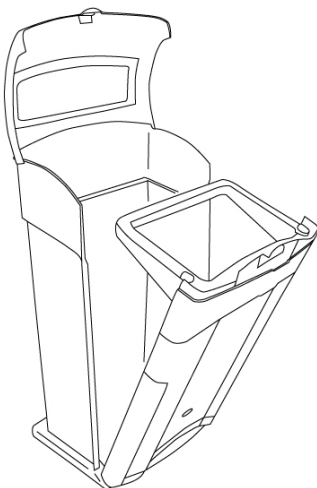
6.



Fold the sack around the sack retention band so the sack is held securely then close the door followed by the lid.

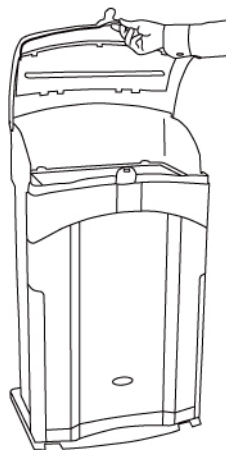
CLOSING YOUR NEXUS 100

7.



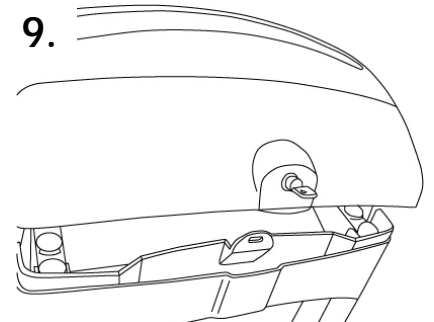
Firstly pivot the door backwards into the original position.

8.



Pivot the lid forward so it locates over the door to secure the unit.

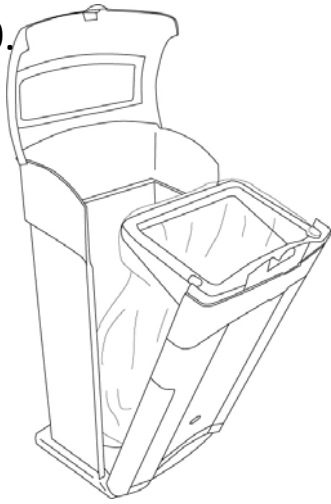
9.



The Confidential Paper model comes complete with a push lock which is located at the front of the unit. With the lid shut, push the lock centre to lock the unit (the lock is available as an optional extra on all models).

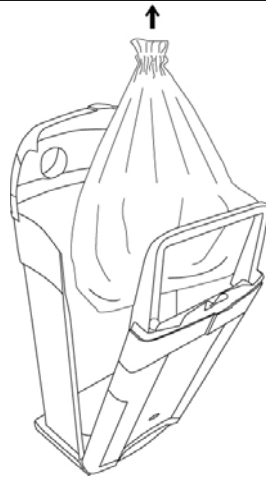
EMPTYING YOUR NEXUS 100

10.



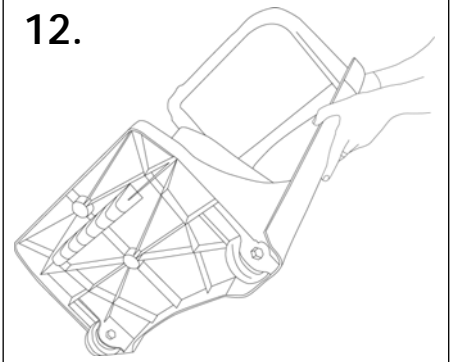
Open the unit as detailed in section 1 to 3.

11.



Should the contents be light in weight (i.e. cans or plastic bottles) the contents may be lifted from the unit.

12.



Two casters are located at the front of the door which allow it to be tilted and wheeled from the body providing excellent access to the contents and for cleaning.

13.



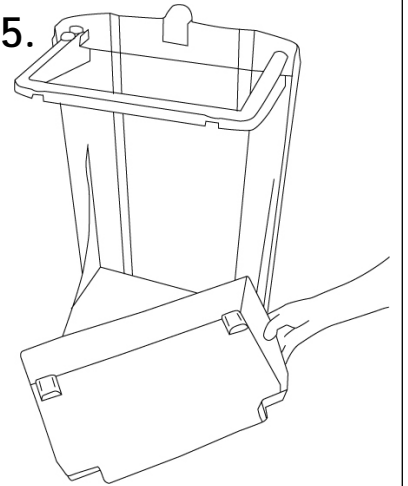
The door can now be utilised to transport heavy waste (i.e. paper a short distance to a collection area).

14.



The contents can now be removed from the door safely without the need for lifting.

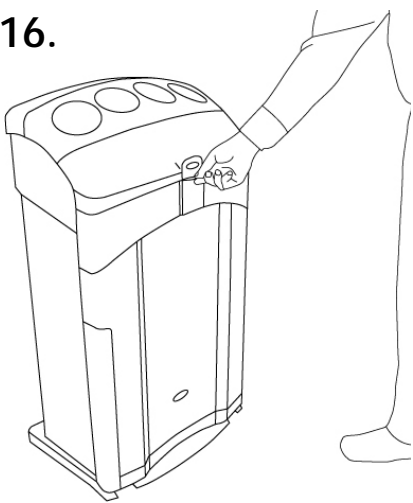
15.



The door comes complete with a drip tray to collect any spills and is removable for ease of cleaning.

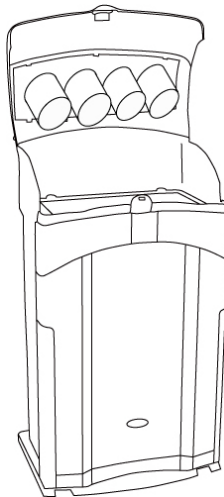
OPENING YOUR NEXUS CUP BANK

16.



Using the finger lip at the front of the lid, lift the lid upwards.

17.



Lift the lid to the upright position until the lid is held by the stay feature.

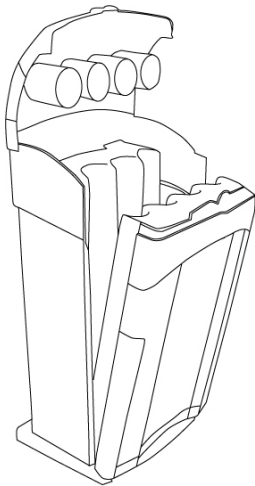
18.



Tilt the door forward until the door is held in the open position.

USING THE CUP STACKING TUBES

19.



The door and lid remain in the open position exposing the stacking tubes.

20.



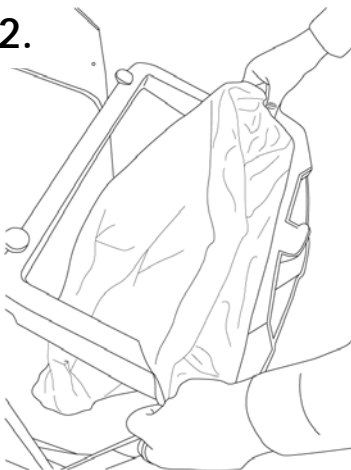
Insert the correct sack size (800mm x 1000mm- available from Glasdon) by lowering between the two halves of the stacking tubes.

21.



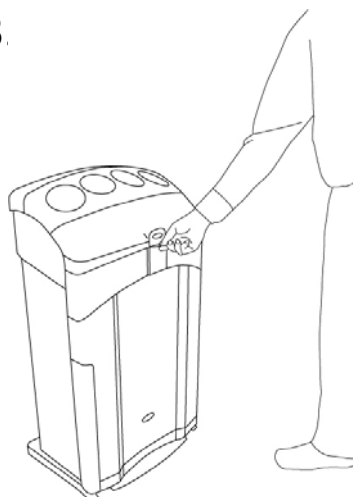
The door is now pivoted back clamping the sack between the stacking tubes.

22.



Once the door is in the closed position, secure the sack with the use of the sack retention clips.

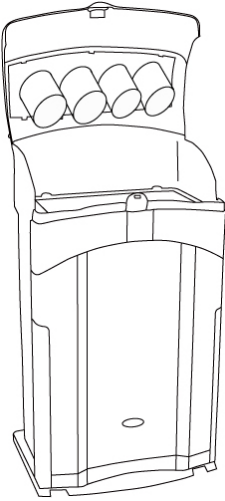
23.



Ensuring the sack is open in all the stacker tubes, return the lid to the closed position.

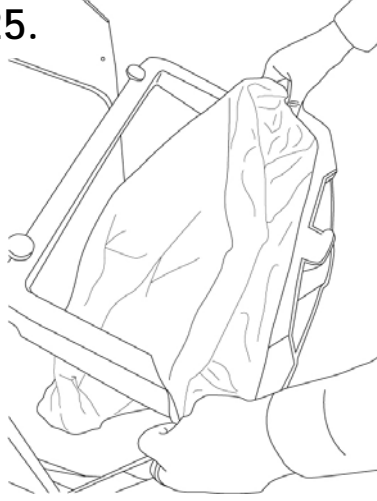
EMPTYING YOUR NEXUS CUP BANK

24.



Firstly pivot the lid upwards until it is held in the upright position.

25.



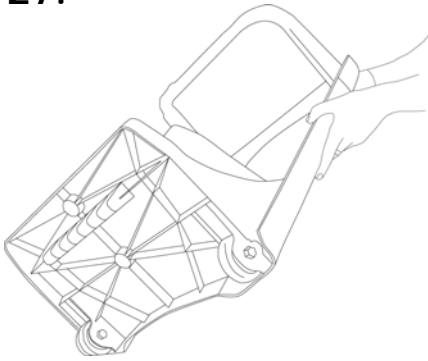
Remove the sack from the sack retention clips at the front and rear.

26.



Tilt the door forward until the door is held in the open position and remove the sack.

27.



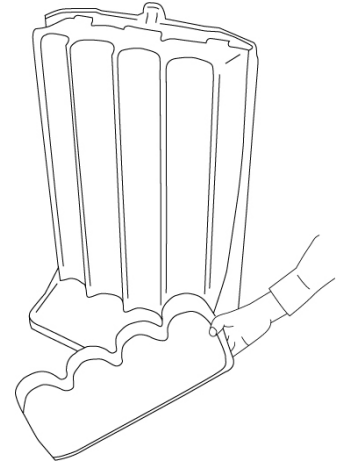
Two casters are located at the front of the door which allow it to be tilted and wheeled from the body providing excellent access.

28.



The door can now be wheeled from the unit allowing the inside of the unit to be easily cleaned.

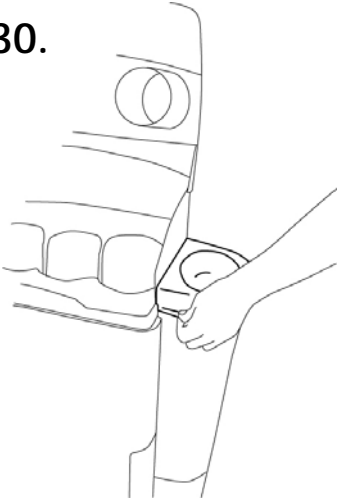
29.



The door comes complete with a drip tray to collect any spills and is removable for ease of cleaning.

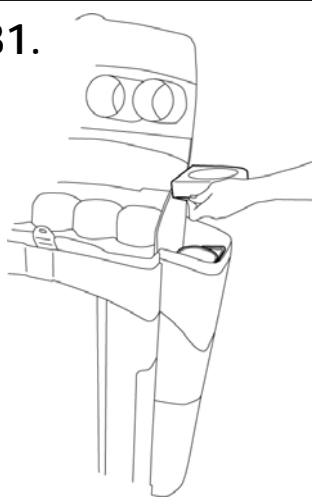
EMPTYING YOUR SIDE POD RESERVOIR

30.



With the main lid open use the finger grip at the front of the funnel to lift.

31.



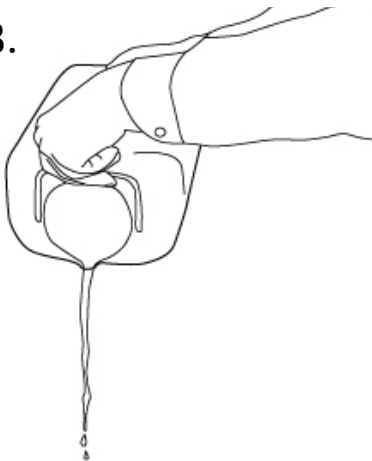
The funnel is then removed from the side pod for ease of access and cleaning.

32.



Using the handle on the reservoir, remove from the side pod to empty.

33.



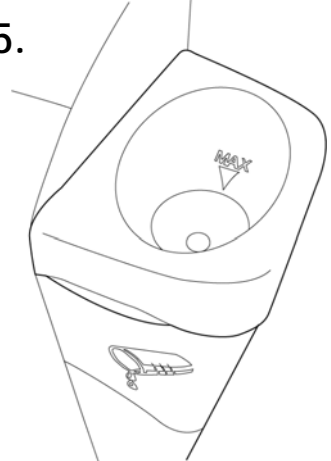
Use the spout to ensure the reservoir is emptied easily and neatly.

34.



The reservoir has a large opening and is easily cleaned with warm soapy water.

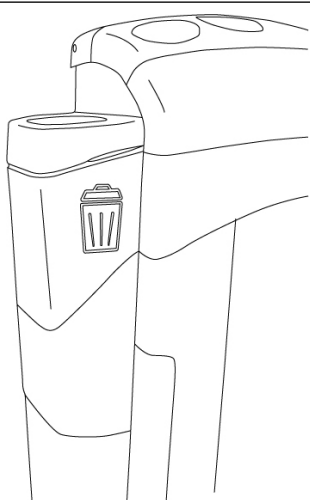
35.



Return the reservoir and funnel to complete the emptying procedure.

EMPTYING YOUR SIDE POD BIN

36.



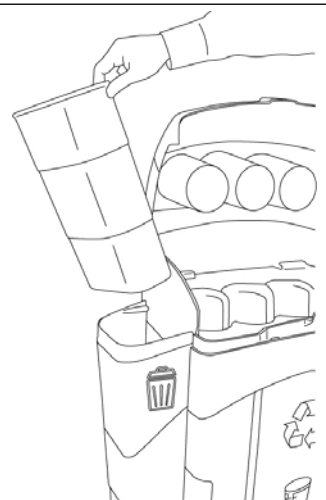
The side pod bin is opened in the same manner as the reservoir.

37.



Remove the trim using the finger grip located at the front.

38.



Remove the 8ltr liner for emptying and cleaning.

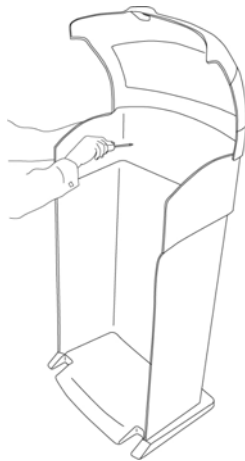
ATTACHING YOUR SIGN KIT TO A NEXUS 100

39.



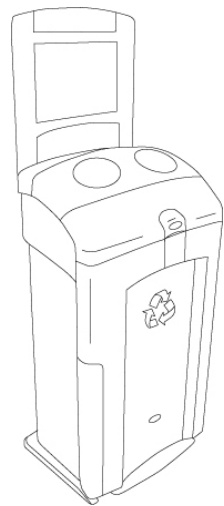
After opening the unit and removing the door. Position the sign carrier at the rear of the unit and align the five fixing holes.

40.



From the inside of the unit attach the sign carrier to your Nexus 100 with the use of the five screws provided.

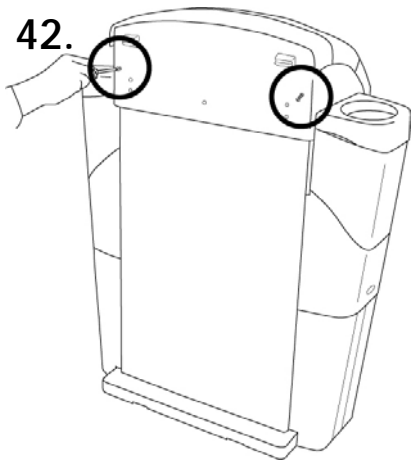
41.



With all five screws fully tightened your sign carrier is secured and ready for use.

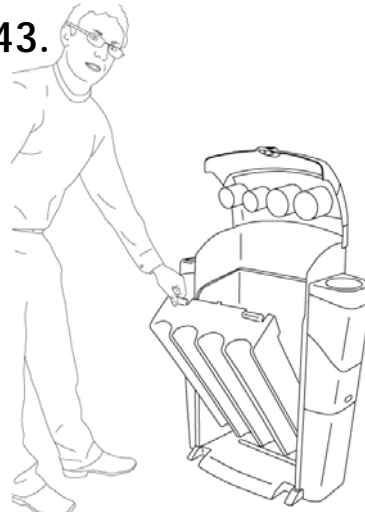
ATTACHING YOUR SIGN KIT TO A NEXUS CUP BANK

42.



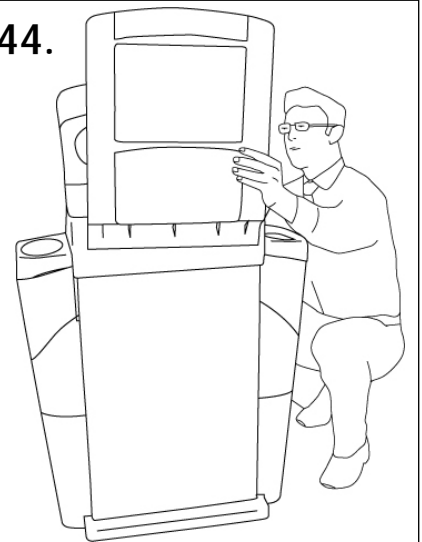
From the rear of the bin remove the upper two stacking tube fixing screws using a screwdriver (keep the screws to hand).

43.



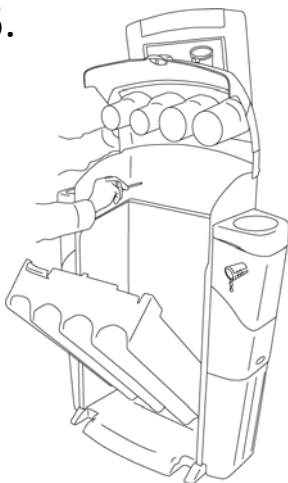
The stacking tubes can now be pivoted forward to reveal the fixing points for the sign.

44.



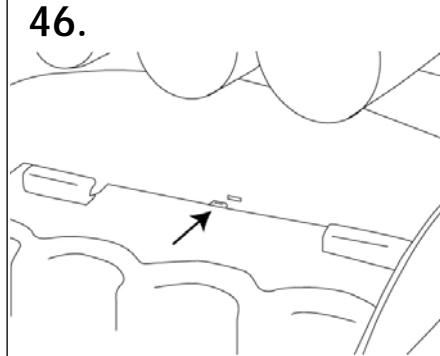
Line up the sign with the 5 fixing points on the unit.

45.



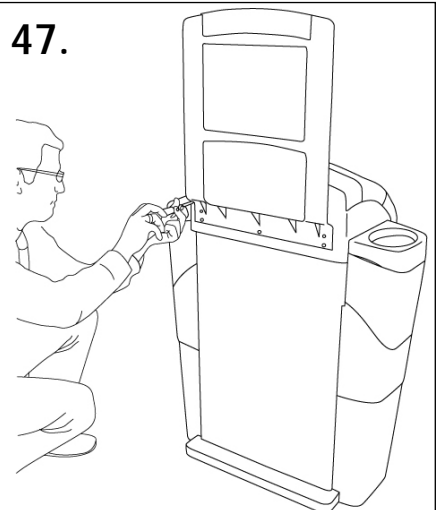
Using the 5 screws provided screw the sign to the unit as shown.

46.



Now the sign is attached to the unit the stacking tubes must be re attached. Locate the tab on the stacking tubes with the main unit.

47.



From the rear of the unit re attach the tubes using the screws removed in step 42.



Glasdon

AND NEXUS™ 100 AND NEXUS CUP BANK ARE TRADEMARKS OR REGISTERED TRADEMARKS OF GLASDON GROUP OR ITS SUBSIDIARIES IN THE U.K. AND OTHER COUNTRIES

- A planned maintenance schedule or regular inspection is recommended, replacing components as necessary.
- Replacement components are available direct from GLASDON.
- GLASDON cannot be held responsible for claims arising from incorrect installation, unauthorised modifications or misuse of the product.

Issue 1

October 2007

C000/0329

© Copyright 200

Glasdon U.K. Ltd reserve the right to alter specifications without prior notice.



Glasdon U.K. Limited

Preston New Road

BLACKPOOL

Lancashire FY4 4UL

Tel: 01253 600410

Fax: 01253 792558

E-mail: sales@glasdon-uk.co.uk

Web: www.glasdon.com