

## BLADE REPLACEMENT INSTRUCTION LEAFLET

IMPORTANT NOTE: ENSURE THAT ALL RELEVANT PERSONNEL READ THESE INSTRUCTIONS PRIOR TO ASSEMBLY

### Kit Contents:

ITEM 1 Steel Backing Plate	x 1
ITEM 2 Durapol® Plough Blade	x 1
ITEM 3 M12 x 50mm Bolt	x 5
ITEM 4 M12 x 24mm Washer	x 10
ITEM 5 M12 Nylock Nut	x 5

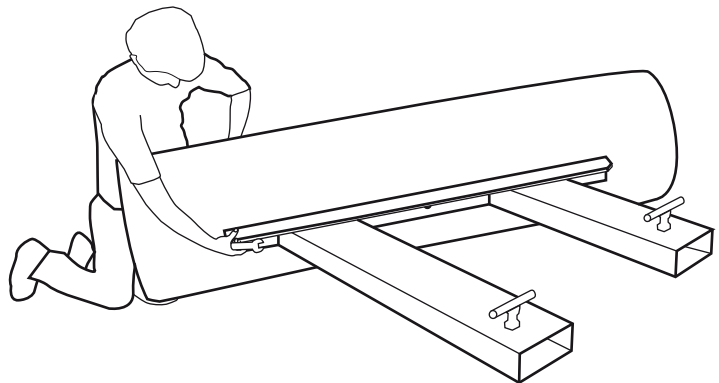
### Tools Required:

19mm Spanner	x 2
--------------	-----

### Removing the Existing Blade

1. Set Snowdozer on a level surface or leave the product attached to the forks.
2. Use the 19mm spanners to loosen the bolts which run along the front of the blade (see Fig. A).
3. Remove the steel backing plate from the front of the blade and subsequently remove the blade itself.

FIG. A



### Fitting Your Replacement Blade

1. Push the bolt and washer (Items 3 & 4) through the holes on the plate (Item 1) and blade (Item 2) and align with the holes on the frame (See Fig. B).
2. Fasten each bolt with a washer and nut (Items 4 & 5) until finger tight.

NOTE: Fasten the two end bolts first.

3. Tighten the bolts using the 19mm spanners.

FIG. B

