

# Nestor™ 90 / 400

## Operator Manual

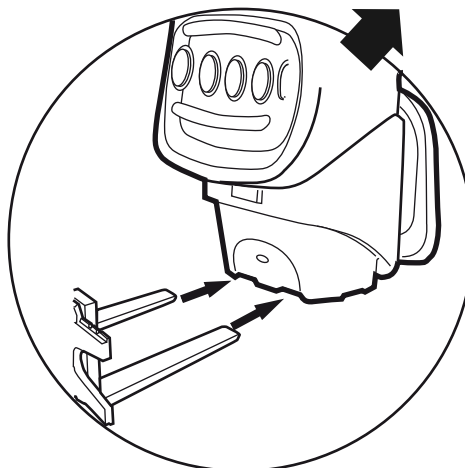
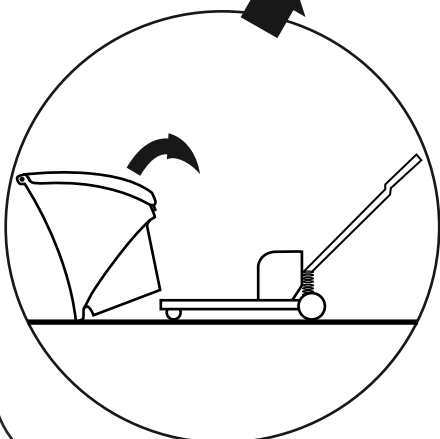
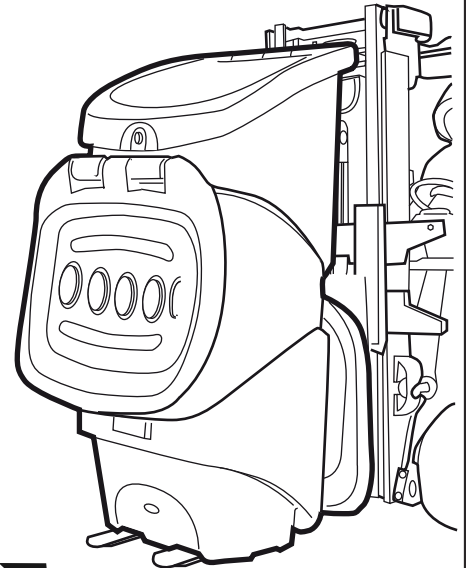
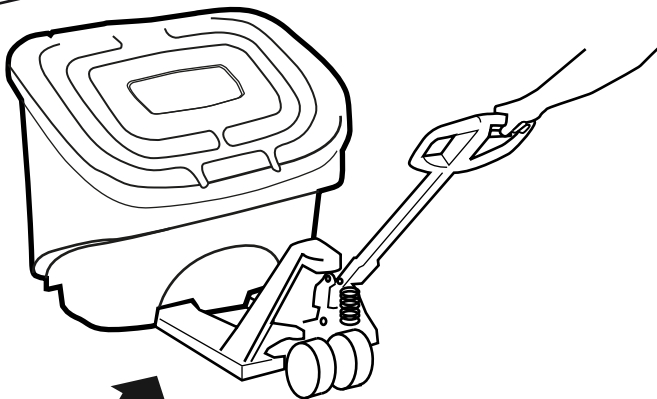
**NOTE:** Ensure that all relevant personnel read the points listed below and that a copy is passed on to staff involved with the installation. Please also refer to the 'Manual Handling Operations Regulations 1992' during the handling of the product and materials used for installation. Glasdon recommends that a full Health and Safety analysis is carried out prior to installation.

### TRANSPORT

### Nestor 90



2 max.



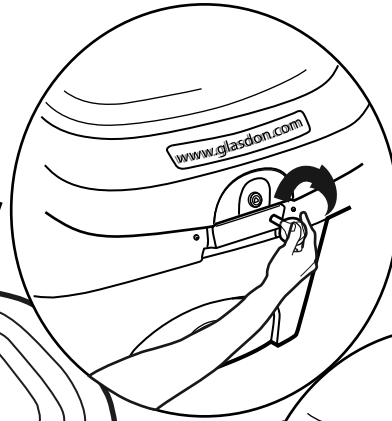
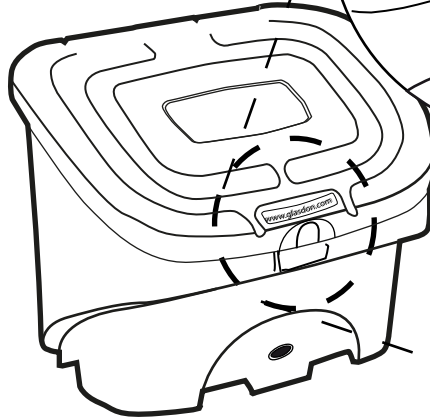
!! **10** !!

m.p.h.  
max. speed

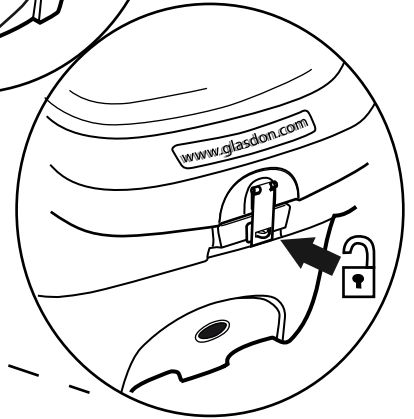
### Nestor 400

# LOCKS

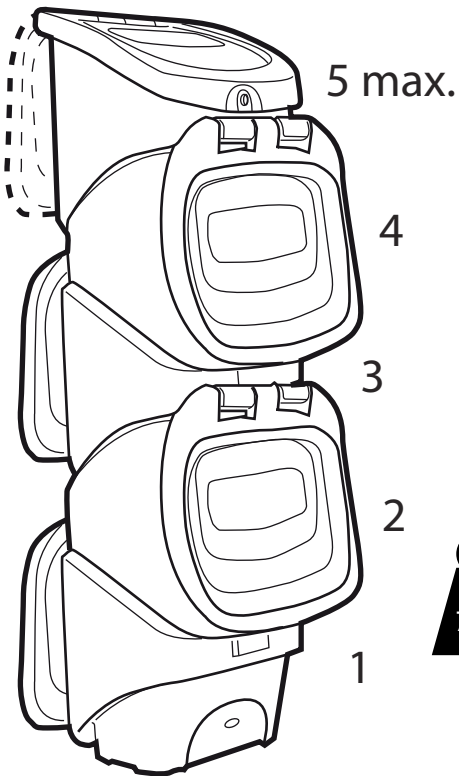
## Nestor 90 & Nestor 400



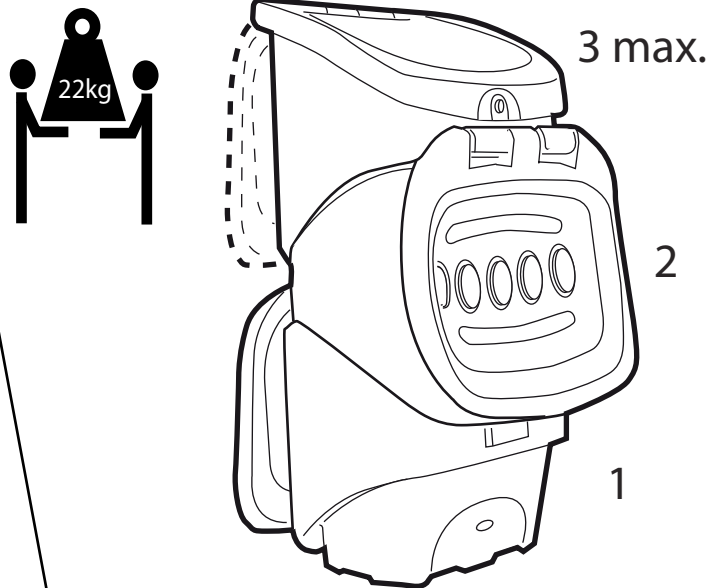
OR



## Nestor 90



## Nestor 400



In accordance with our policy of continuous development and improvement, we reserve the right to make changes in design and specification without notice. Glasdon Manufacturing Limited products are manufactured under license worldwide and various components of the models are patented and design registered. Replacement components are available direct from GLASDON. GLASDON cannot be held responsible for claims arising from incorrect installation, unauthorised modifications or misuse of the product.




### GLASDON MANUFACTURING LIMITED

Poulton Business Park • Poulton-le-Fylde • Lancashire • FY6 8JW

Tel: 01253 891131 • Fax: 01253 891923

email: sales@glasdon-manufacturing.co.uk • website: www.glasdon.com

 **Glasdon** AND NESTOR ARE TRADEMARKS OF GLASDON GROUP AND ITS SUBSIDIARIES IN THE U.K. AND OTHER COUNTRIES.