



Glasdon

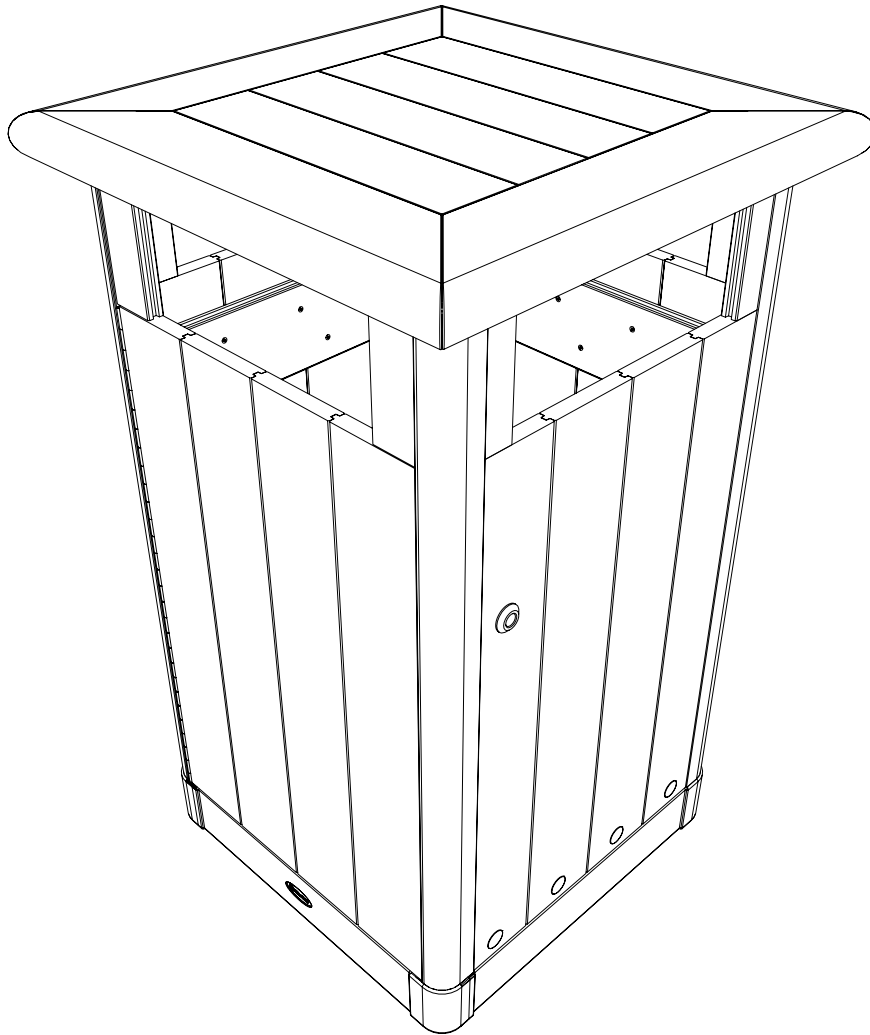
# ORIGIN™ HORIZON 110 LITTER BIN

## OPERATING & MAINTENANCE MANUAL

### IMPORTANT NOTE:

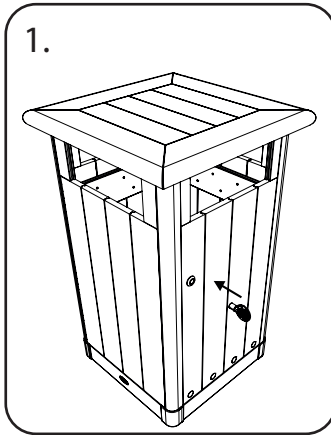
The bin must be sited on level ground to ensure correct alignment of the doors and body. If you are not using Glasdon fixings you must ensure that 50mm diameter washers are used in order to secure the bin when ground fixing.

Ensure that all relevant personnel read the points listed within this leaflet and that a copy is given to staff involved with the installation and maintenance of this product.

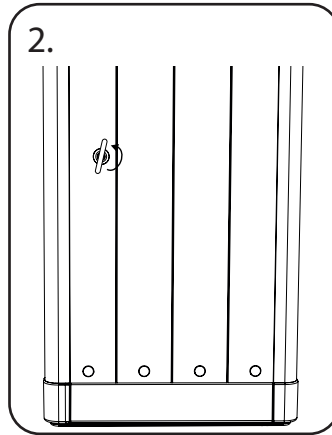


## SECTION 1 - OPERATING THE BIN

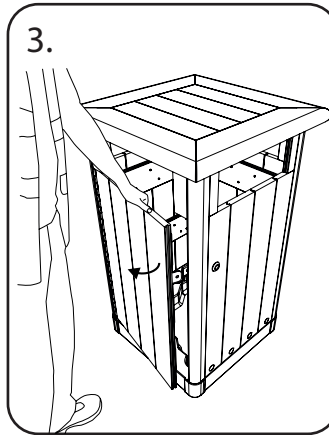
### OPENING/CLOSING



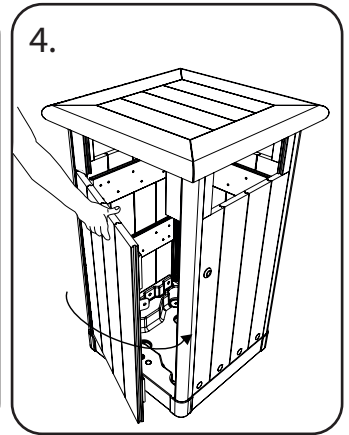
1. Insert the Glasdon triangular-shaped key provided into the keyhole on the side of the unit.



2. Turn key in the keyhole anticlockwise until it stops.

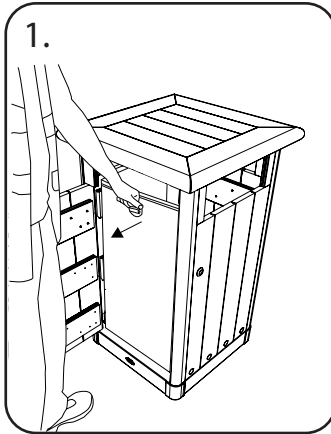


3. Pull the door open, placing a hand on the top edge of the door.

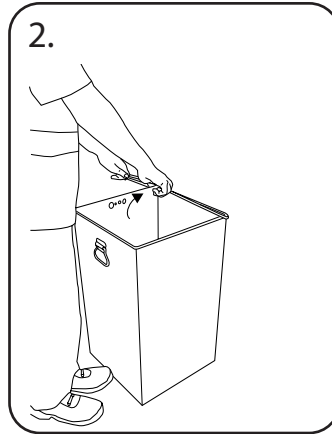


4. Once finished, slam to shut.

### REMOVING LINER AND REPLACING SACK/USING SACK RETENTION (OPTIONAL EXTRA)

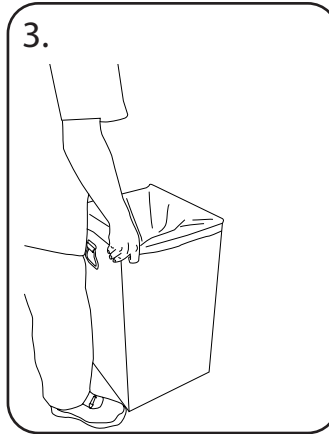


1. Remove liner by sliding out of bin.

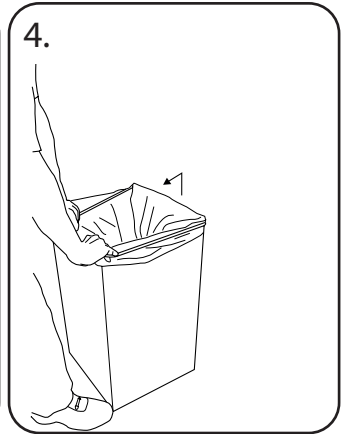


2. Release elasticated sack band away from body for safety.

**NOTE:** The sack retention band is not included as standard.



3. Insert plastic sack.




4. Reposition elasticated sack band to secure plastic sack.

## SECTION 2 - CLEANING

### CLEANING YOUR BIN

We would recommend a warm pressure wash with soap or alternatively hand wash with 10% solution of mild detergent in warm water using a soft bristle brush followed by a rinse with clean water.

 **Glasdon** AND ORIGIN IS A TRADEMARK OR REGISTERED TRADEMARK OF GLASDON GROUP OR ITS SUBSIDIARIES IN THE U.K. AND OTHER COUNTRIES.

- A planned maintenance schedule or regular inspection is recommended, replacing components as necessary.
- Replacement components are available direct from GLASDON.
- GLASDON cannot be held responsible for claims arising from incorrect installation, unauthorised modifications or misuse of the product.

Stock No. C000/0539 - DWG No. 07B384-47 Issue 1 - March 2024

© Copyright 03/2024

Glasdon UK Ltd reserve the right to alter specifications without prior notice.

 **Glasdon**<sup>®</sup>

**Glasdon U.K. Limited**

Preston New Road  
BLACKPOOL  
Lancashire  
FY4 4UL

Tel: (01253) 600410  
Fax: (01253) 792558  
e-mail: sales@glasdon-uk.co.uk  
web: www.glasdon.com