

UNIVERSAL EXTERNAL BALLAST KIT



Installation Guide

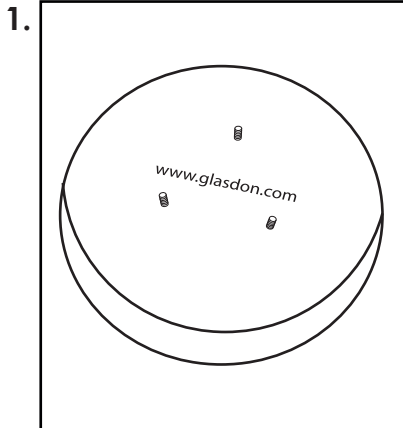
IMPORTANT NOTE: ENSURE THAT ALL RELEVANT PERSONNEL READ THESE INSTRUCTIONS PRIOR TO USE

KIT CONTENTS

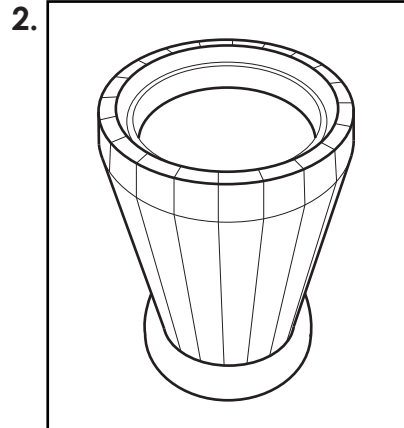
1 X Ballast Base c/w fixing bracket and bolts
3 x M10 x 50mm Washer
3 x M10 Nyloc Nut

EQUIPMENT REQUIRED

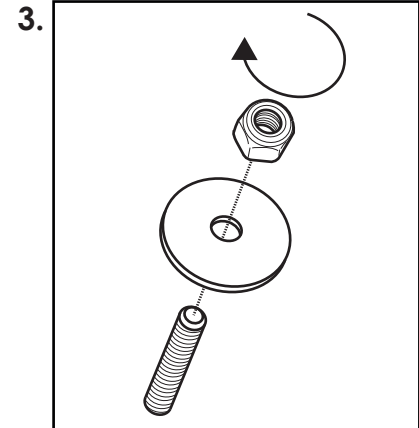
17mm Spanner or Socket Wrench



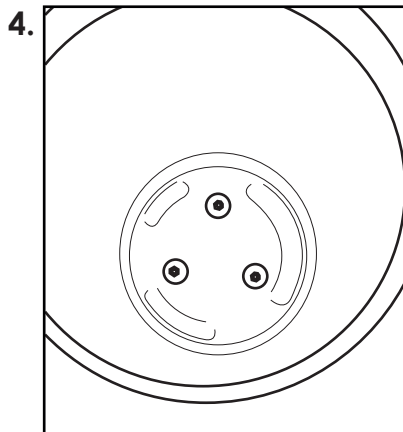
Place base on the floor with threaded bolts pointing upright



Align fixture holes with bolts and place bin onto base, leaving bolts exposed



Within bin, place M10 x 50mm washer over bolt and secure with M10 Nyloc nut using 17mm spanner/socket wrench



Repeat step 3 for all exposed bolts and tighten to ensure robust and durable base fixture



AND UNIVERSAL EXTERNAL BALLAST KIT ARE TRADEMARKS OF GLASDON GROUP OR ITS SUBSIDIARIES IN THE U.K. AND OTHER COUNTRIES

- A planned maintenance schedule of regular inspection is recommended, replacing components as necessary.
- Replacement components are available direct from GLASDON UK LIMITED.
- GLASDON UK LIMITED cannot be held responsible for claims arising from incorrect installation, unauthorised modifications or misuse of the product.

Issue 1 March 2015 C000/0469 07B343-48
© Copyright 2015
Glasdon UK Ltd reserve the right to alter specifications without prior notice.



Glasdon

Glasdon U.K. Limited

Preston New Road
BLACKPOOL
Lancashire FY4 4UL
Tel: 01253 600410
Fax: 01253 792558
email: sales@glasdon-uk.co.uk
web: www.glasdon.com