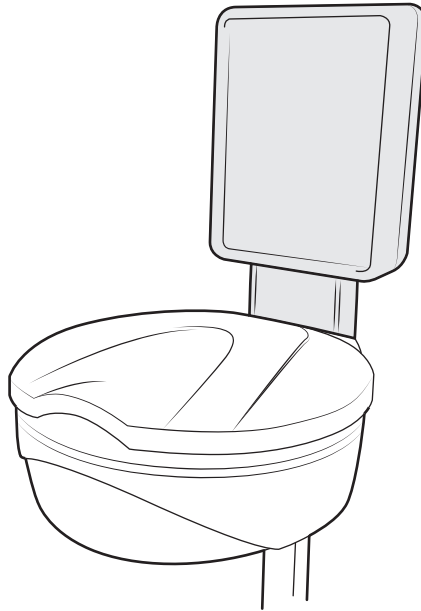




SINGLE ORBIS SIGN KIT

INSTALLATION INSTRUCTIONS

IMPORTANT NOTE: ENSURE THAT ALL RELEVANT PERSONNEL READ THESE INSTRUCTIONS PRIOR TO USE

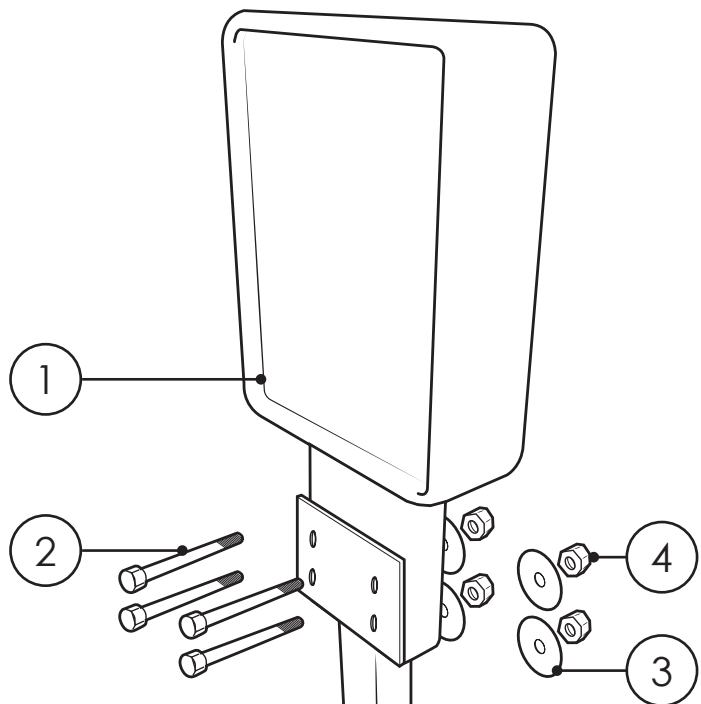


EQUIPMENT REQUIRED:

- 13mm Spanner x 2

KIT CONTENTS:

ITEM 1 - Sign Carrier x 1
ITEM 2 - M8 x 130mm Hex Bolt x 4
ITEM 3 - M8 Washer x 4
ITEM 4 - M8 Nyloc Nut x 4

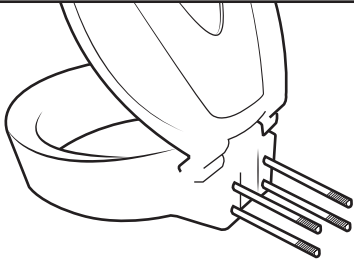


Orbis Post (supplied separately)

DIAGRAM NOT TO SCALE

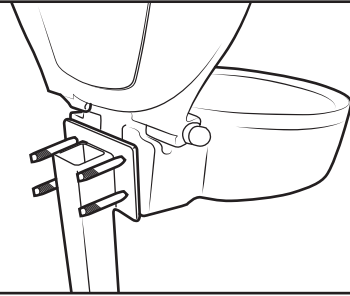
NEW SIGN KIT INSTALLATION

1.



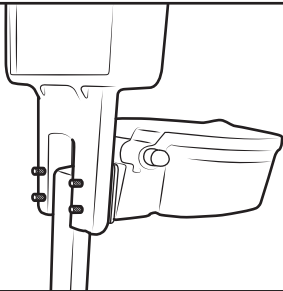
Insert the M8 Hex Bolts through the Orbis fixing holes.

2.



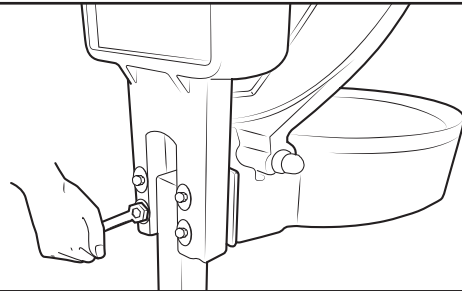
Insert the Orbis with the bolts through the holes of the Orbis Post (supplied separately).

3.



Locate the Sign Carrier's fixing holes on to the exposed bolts protruding through the rear of the Orbis Post.

4.



Secure in position with M8 Washers and Nuts using 13mm Spanners.

DOUBLE ORBIS SIGN KIT

INSTALLATION INSTRUCTIONS

IMPORTANT NOTE: ENSURE THAT ALL RELEVANT PERSONNEL READ THESE INSTRUCTIONS PRIOR TO USE



EQUIPMENT REQUIRED:

- 13mm Spanner x 2

KIT CONTENTS:

ITEM 1 - Sign Carrier x 1
ITEM 2 - 2 Point Bracket x 1
ITEM 3 - M8 x 200mm Hex Bolt x 4
ITEM 4 - M8 Washer x 8
ITEM 5 - M8 Nyloc Nut x 4

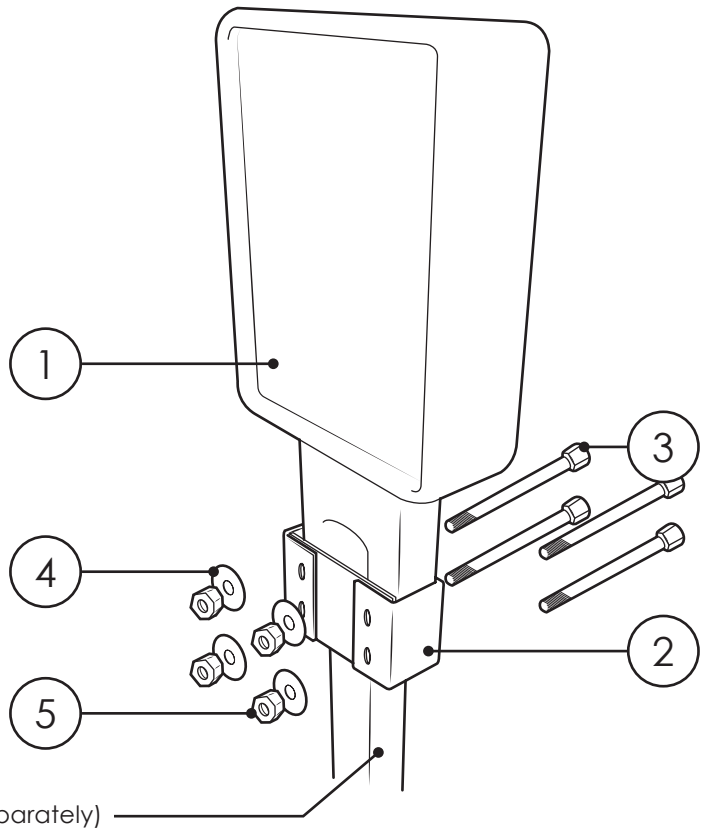
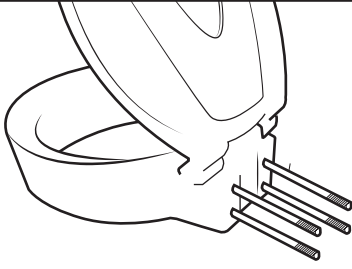


DIAGRAM NOT TO SCALE

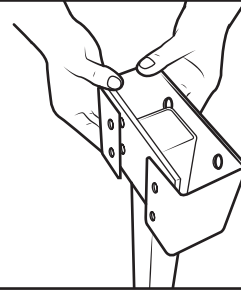
NEW SIGN KIT INSTALLATION

5.



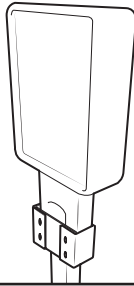
Insert the M8 Hex Bolts through the Orbis fixing holes.

6.



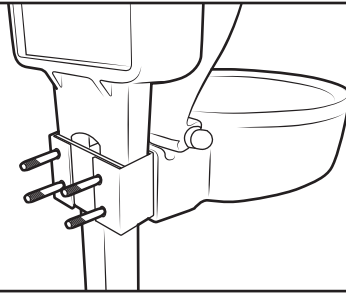
Align the 2 Point Bracket with the fixing holes on the Orbis Post.

7.



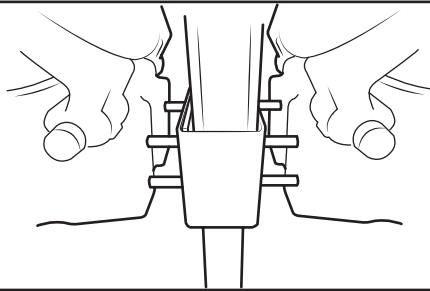
Then align the Sign Carrier fixing holes with the 2 Point Bracket and the Orbis Post.

8.



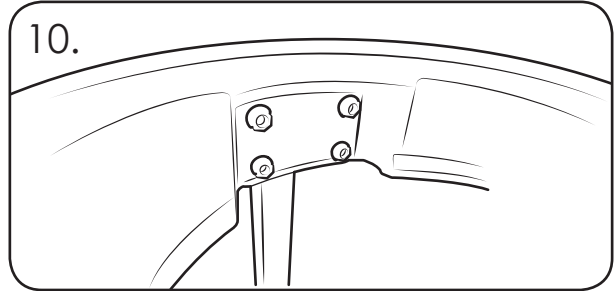
Locate Orbis with fixing bolts in to the 2 Point Bracket, Orbis Post and Sign Carrier.

9.



Locate second Orbis onto the exposed fixing bolts, which will hold all the units together.

10.



Secure in position with M8 Washers and Nuts using 13mm Spanners.

IMPORTANT NOTE: PLEASE ENSURE THAT ALL RELEVANT PERSONNEL READ THE POINTS LISTED WITHIN THIS LEAFLET AND THAT A COPY IS GIVEN TO STAFF INVOLVED WITH THE INSTALLATION AND MAINTENANCE OF THIS PRODUCT.

SAFETY NOTE: PLEASE REFER TO 'THE MANUAL HANDLING OPERATIONS REGULATIONS 1992' DURING HANDLING.



Glasdon AND ORBIS SIGN KIT ARE TRADEMARKS OR REGISTERED TRADEMARKS OF GLASDON GROUP OR ITS SUBSIDIARIES IN THE U.K. AND OTHER COUNTRIES

- A planned maintenance schedule or regular inspection is recommended, replacing components as necessary.
- Replacement components are available direct from GLASDON.
- GLASDON cannot be held responsible for claims arising from incorrect installation, unauthorised modifications or misuse of the product.

Issue 3 - 06 Nov 2017 - Stock No. C000/0499 - DWG No. 07B324-111

© Copyright JULY 2017

Glasdon UK Ltd reserve the right to alter specifications without prior notice.



Glasdon®

Glasdon U.K. Limited

Preston New Road
BLACKPOOL
Lancashire
FY4 4UL

Tel: (01253) 600410

Fax: (01253) 792558

e-mail: sales@glasdon-uk.co.uk

web: www.glasdon.com

Should you require any further assistance please contact us on
tel: 01253 600410, fax: 01253 792558 or email: sales@glasdon-uk.co.uk