



# ORBIS BEACH POST

## Installation Guide

IMPORTANT NOTE: ENSURE THAT ALL RELEVANT PERSONNEL READ THESE INSTRUCTIONS PRIOR TO USE



Ensure that personnel carrying out this installation have the relevant qualifications/certificates. Ensure that all relevant personnel read the points listed within this leaflet and that a copy is given to staff involved with the installation and maintenance of this product. Please refer to 'The Manual Handling Operations Regulations 1992'. Glasdon recommends that a full Health and Safety analysis is carried out prior to installation.

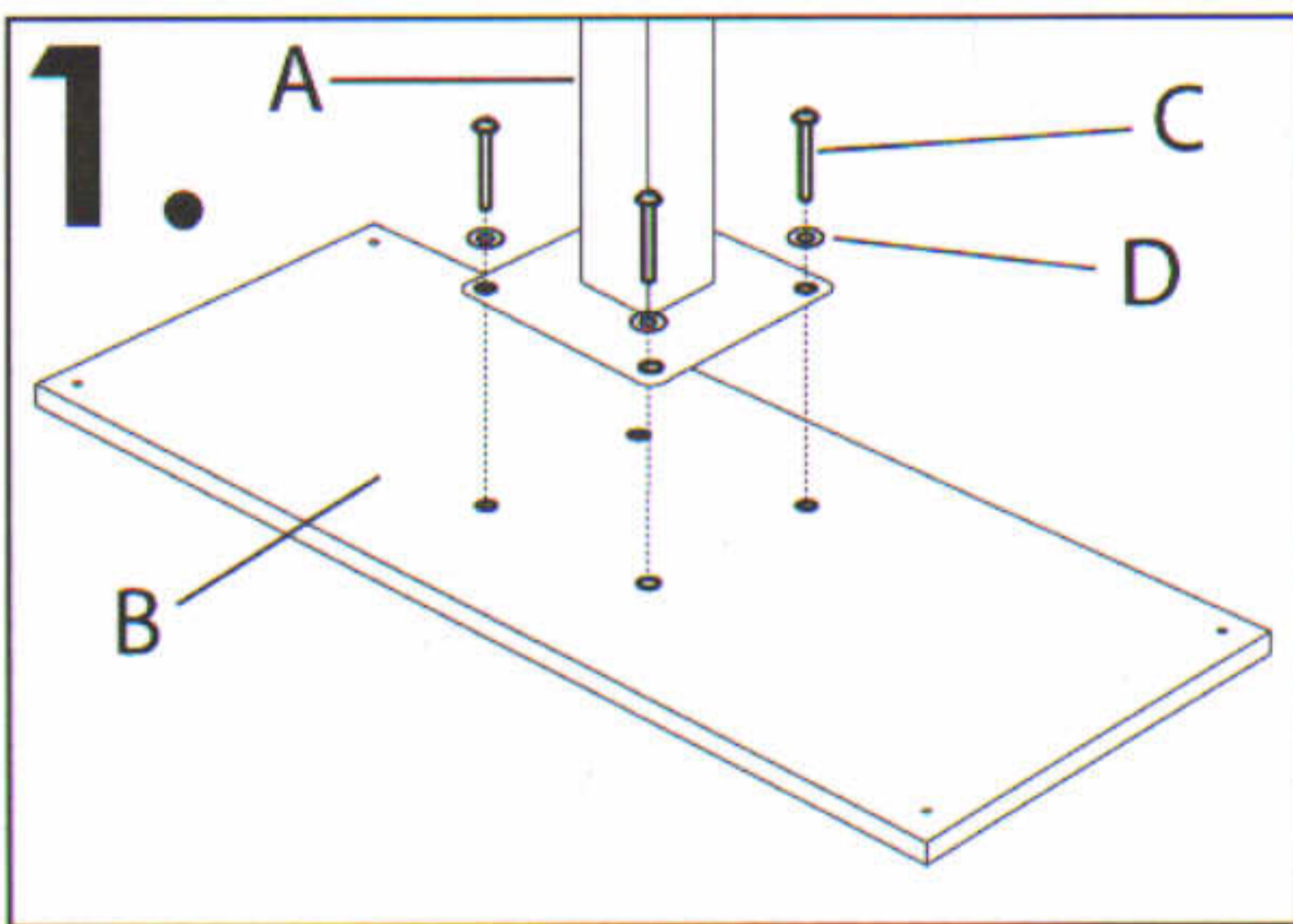
**Warning: Always check for buried services**

### Tools Required: -

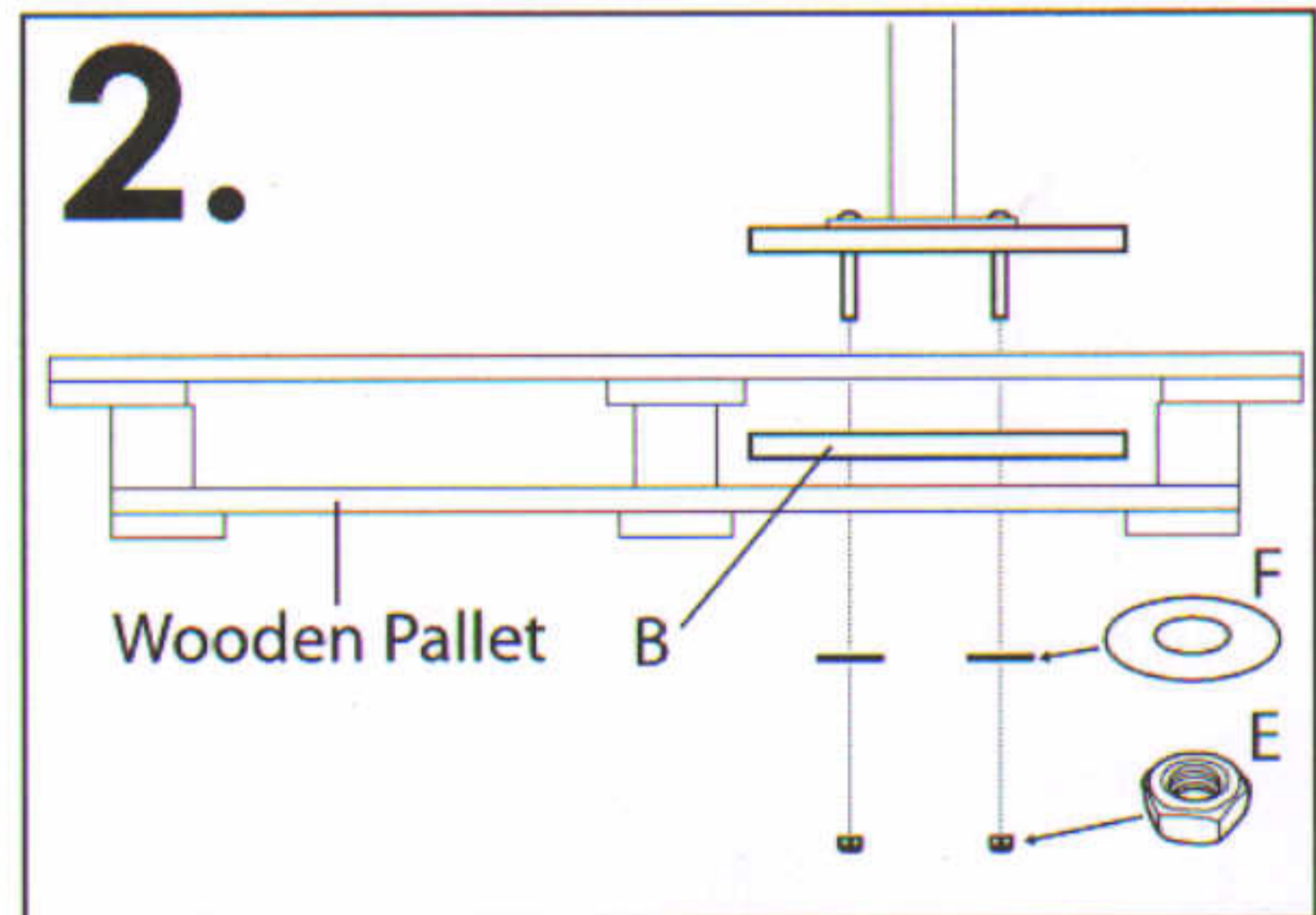
- Wooden Pallet
- 17mm Spanner
- 6mm Allen Key
- Posidrive Screwdriver
- Spade
- Spirit Level
- Safety Glasses
- Safety Gloves
- Ear Defenders

### Kit Contents: -

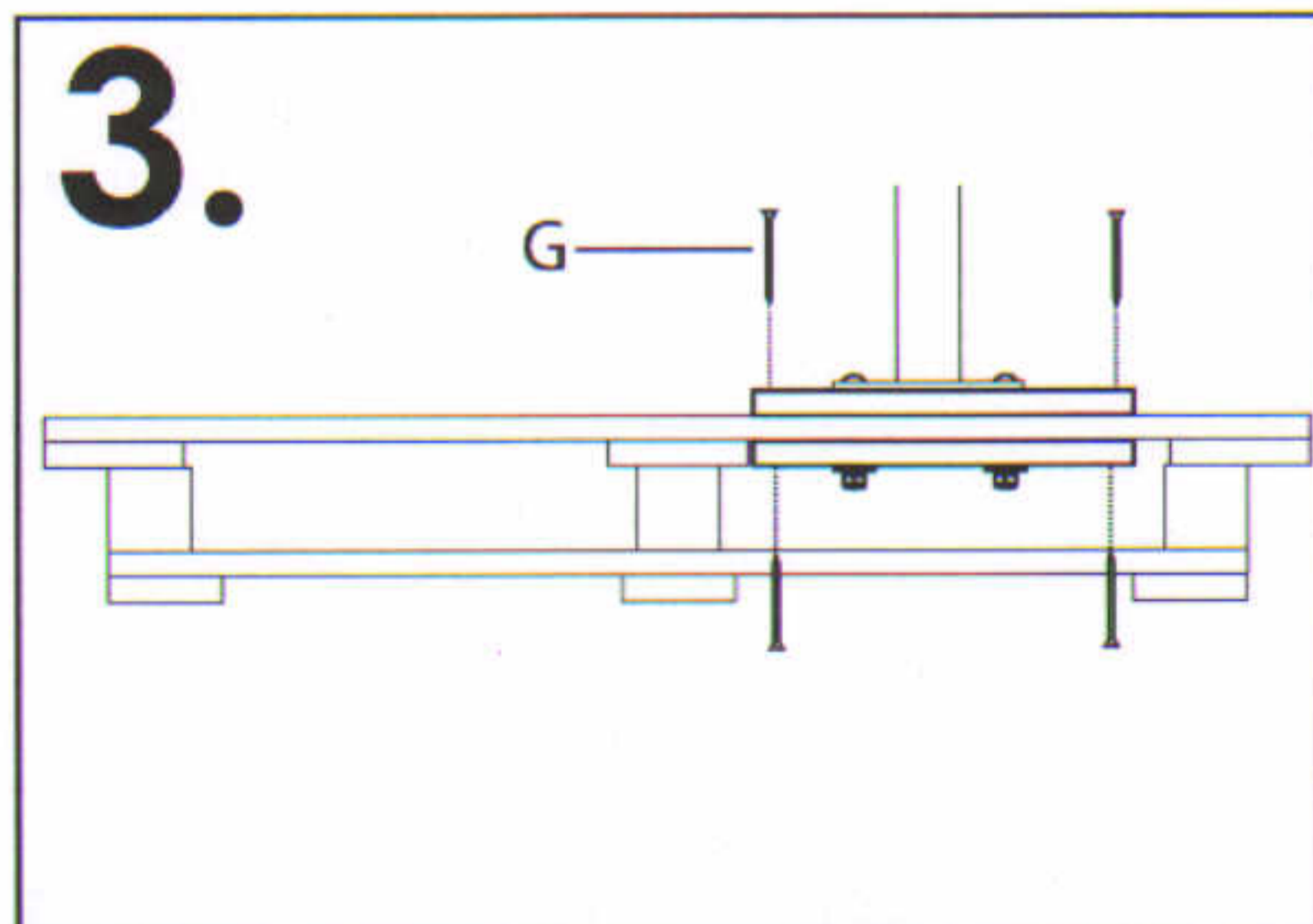
- A** 1 x Orbis Post
- B** 2 x Ecoboard Panel
- C** 4 x M10x80mm Socket Button Screw
- D** 4 x M10x50mm Washer
- E** 4 x M10 Nut
- F** 4 x M10 Plain Washer
- G** 8 x 1.25" Woodscrew



1. Align the Orbis Post (**A**) with one of the Ecoboard Panels (**B**). Pass the Socket Button Screws (**C**), with Washers (**D**), through the holes.



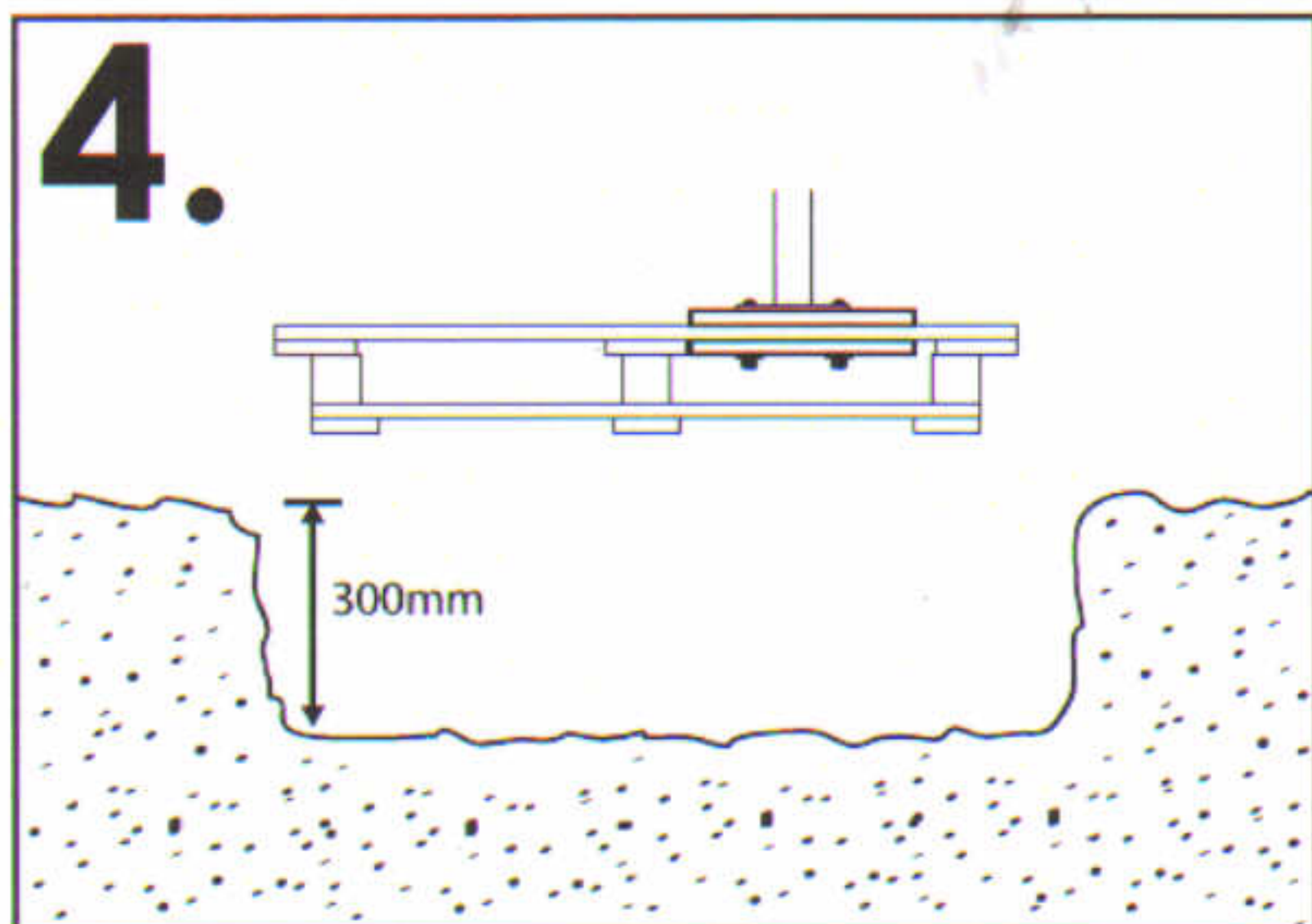
2. Sandwich the Pallet between the previous assembly, and the second Ecoboard (**B**) panel, and secure using M10 Nuts (**E**) with Plain Washers (**F**).



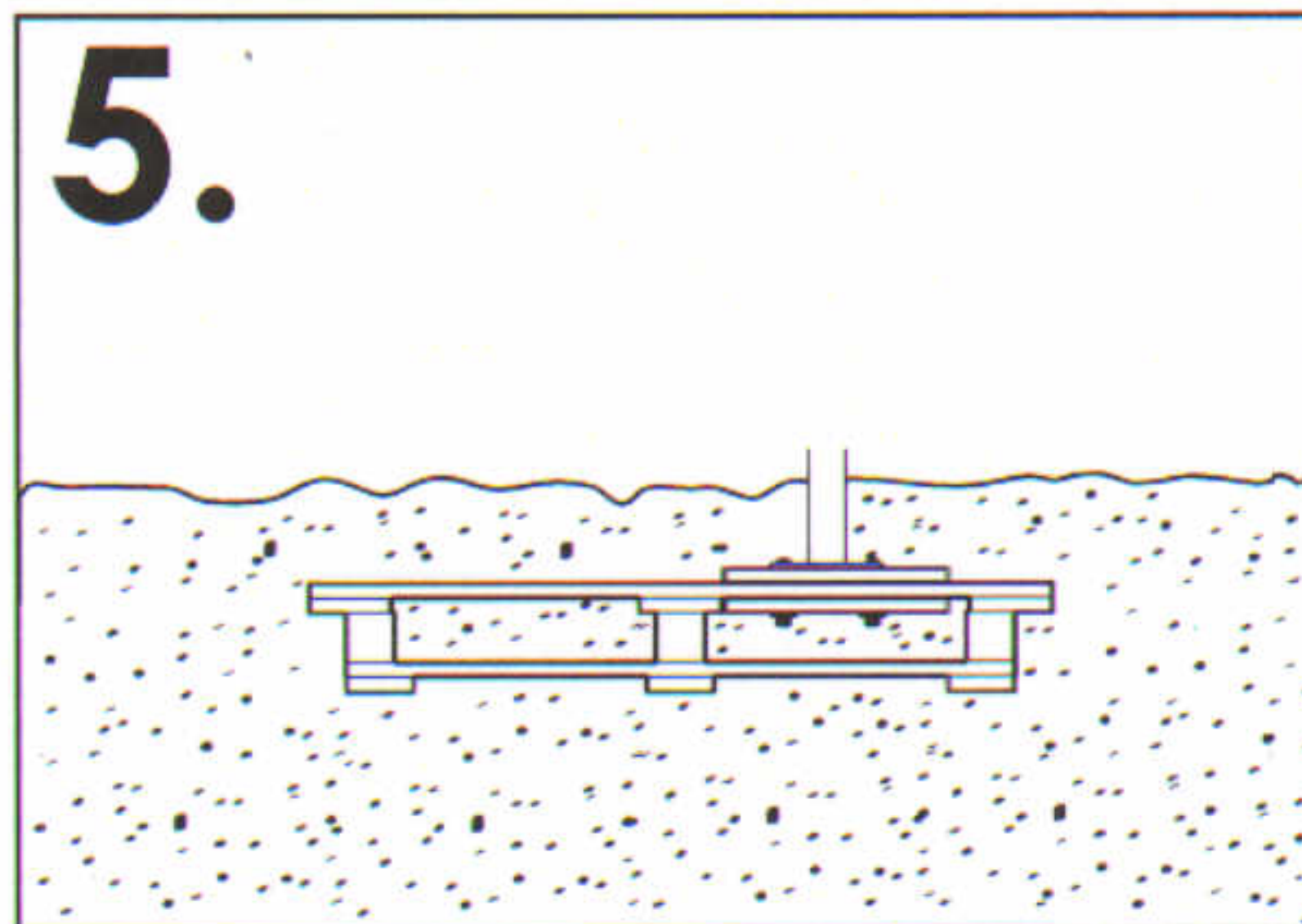
3. Secure the Ecoboard panels to the Pallet using the Woodscrews (**G**), through the pre-drilled pilot holes.



# ORBIS BEACH POST



4. Excavate a 300mm deep hole in the sand to seat the bottom of the pallet. Ensure the bottom surface is level. Lower the full post assembly into position.



5. When in position, back fill the pallet to provide ballast and ensure a secure siting.



AND ORBIS ARE TRADEMARKS OF GLASDON GROUP OR ITS SUBSIDIARIES IN THE U.K. AND OTHER COUNTRIES

- A planned maintenance schedule of regular inspection is recommended, replacing components as necessary.
- Replacement components are available direct from GLASDON UK LIMITED.
- GLASDON UK LIMITED cannot be held responsible for claims arising from incorrect installation, unauthorised modifications or misuse of the product.

Issue 1      March 2013    C000/0444  
© Copyright 2013  
Glasdon UK Ltd reserve the right to alter specifications without prior notice.



**Glasdon**

Glasdon U.K. Limited

Preston New Road  
BLACKPOOL  
Lancashire FY4 4UL  
Tel: 01253 600410  
Fax: 01253 792558  
email: [sales@glasdon-uk.co.uk](mailto:sales@glasdon-uk.co.uk)  
web: [www.glasdon.com](http://www.glasdon.com)