

Auto-Mate™

Glove, Towel & Litter Unit

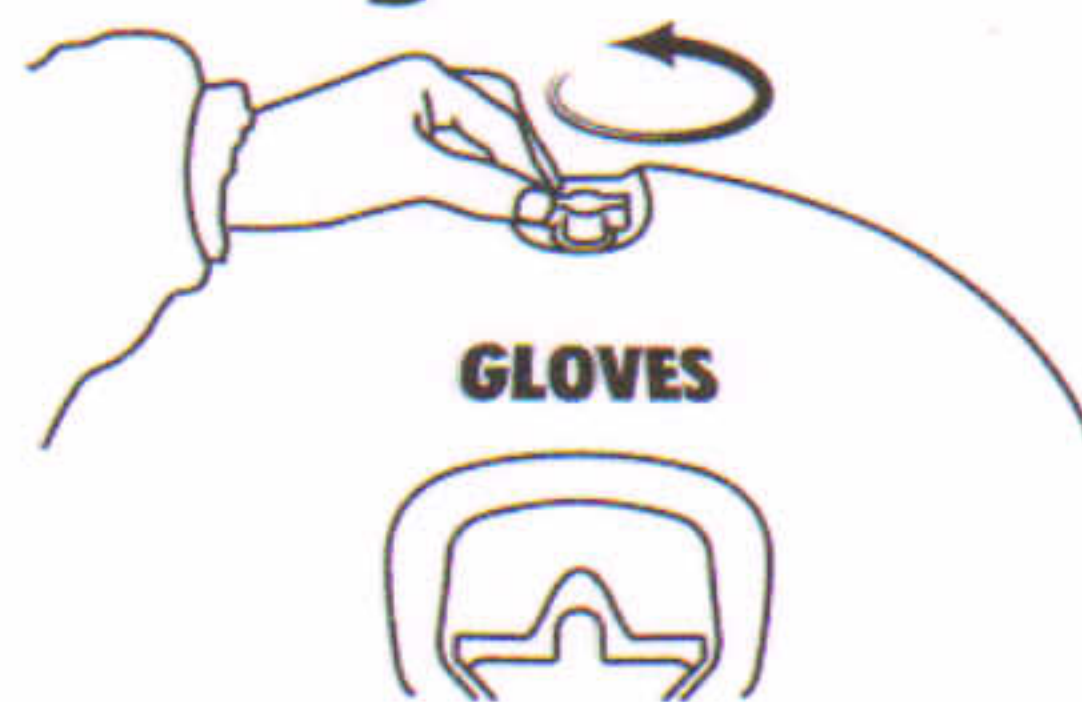
USER INSTRUCTIONS

Important Note: Ensure that all relevant personnel read the points listed within this leaflet and that a copy is given to staff involved with the installation and maintenance of this product.

SECTION 1 *LOADING THE GLOVES*

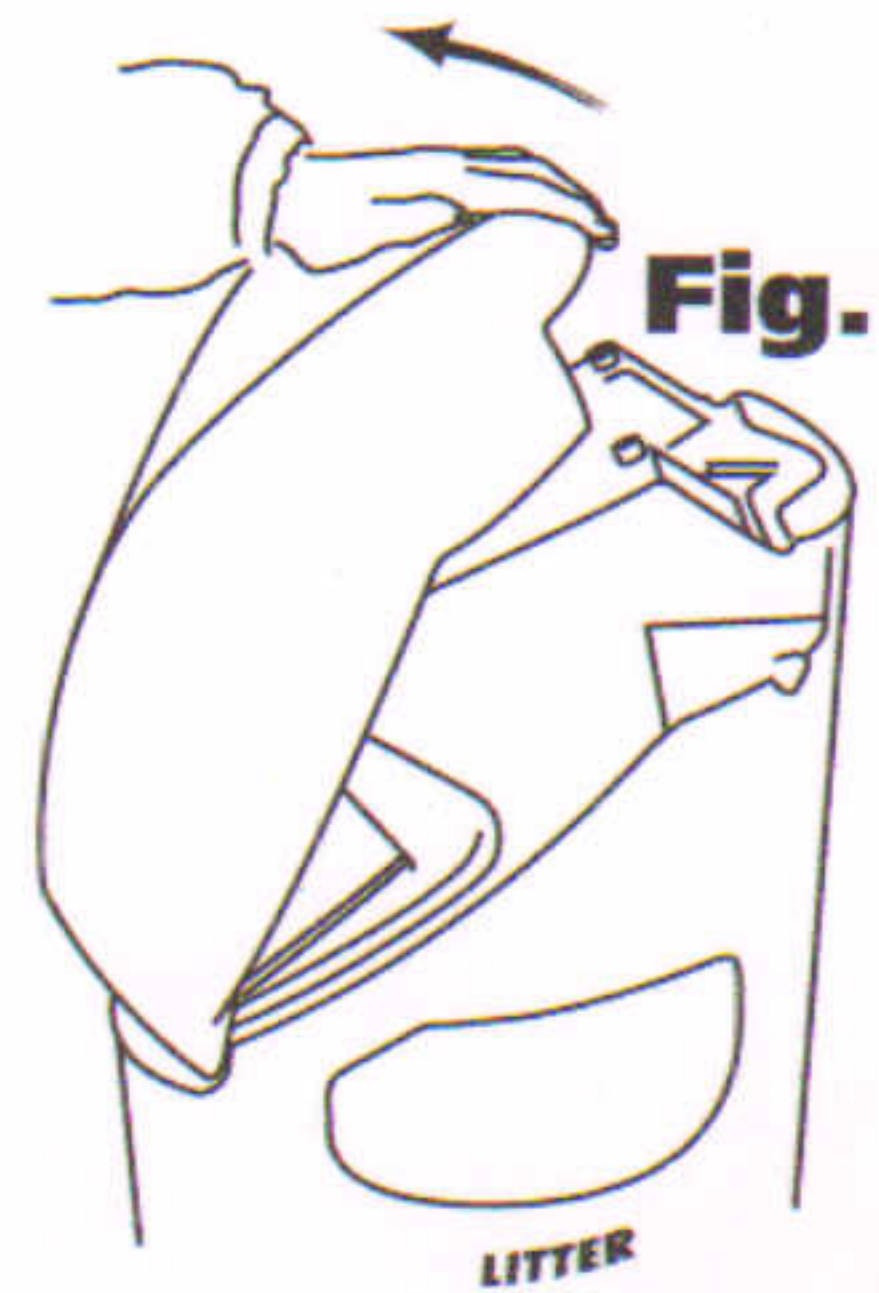
To open the hinged cover turn the twist lock on top of the unit anti clockwise until the lock is horizontal (Fig 1.)

Fig. 1



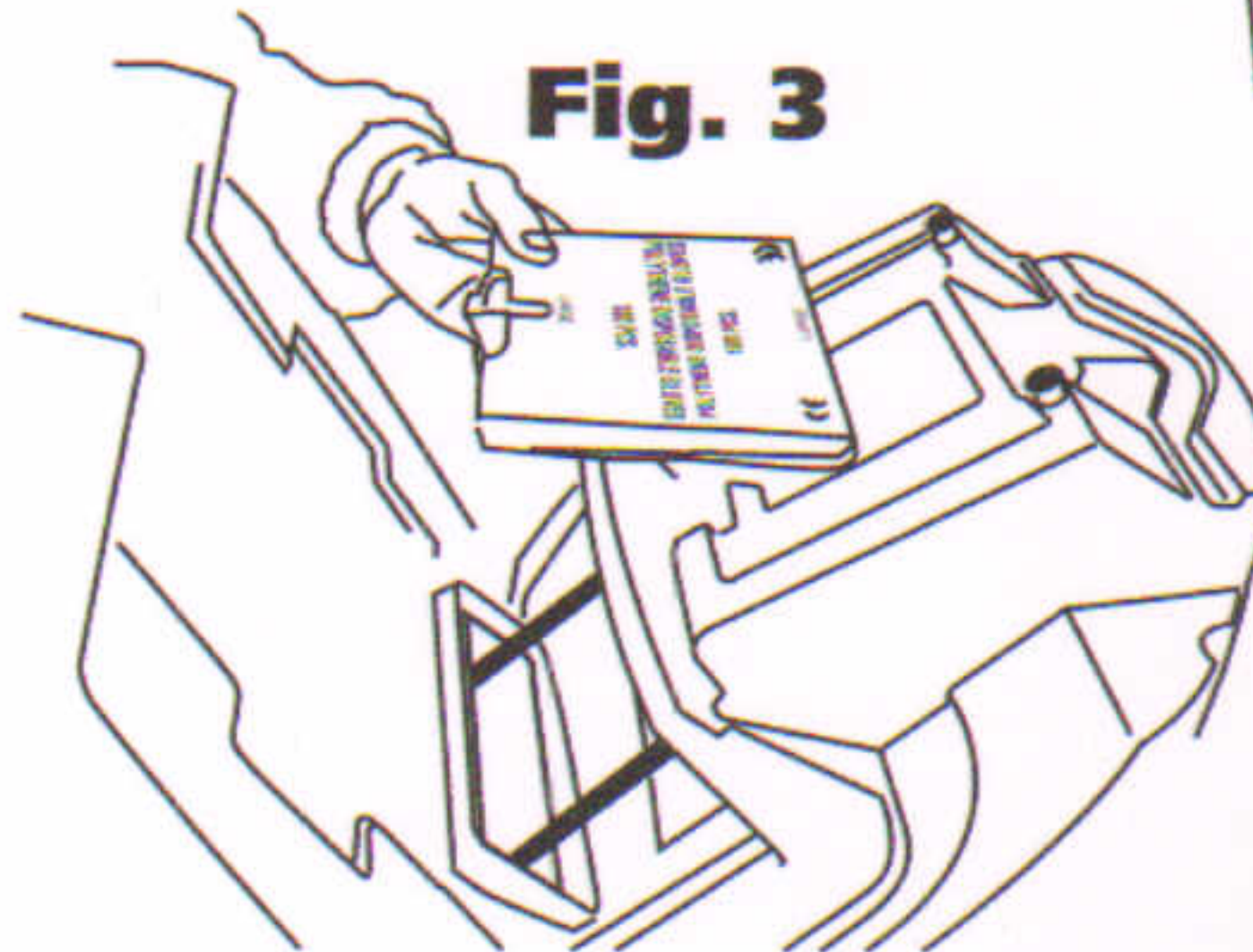
Pull the cover upwards and towards the front of the unit to open (Fig 2.).

Fig. 2



Having firstly removed the perforated section on the box to allow removal of the gloves. Place the box of gloves into the square recess (Fig 3) and ensure the box opening is placed at the bottom of the recess facing upwards.

Fig. 3



SECTION 2 *LOADING THE TOWELS*

To load the towels firstly remove them from any packaging, then slide the ballast plate (Fig 4.) upwards and hold in place (Fig 5).

Fig. 4

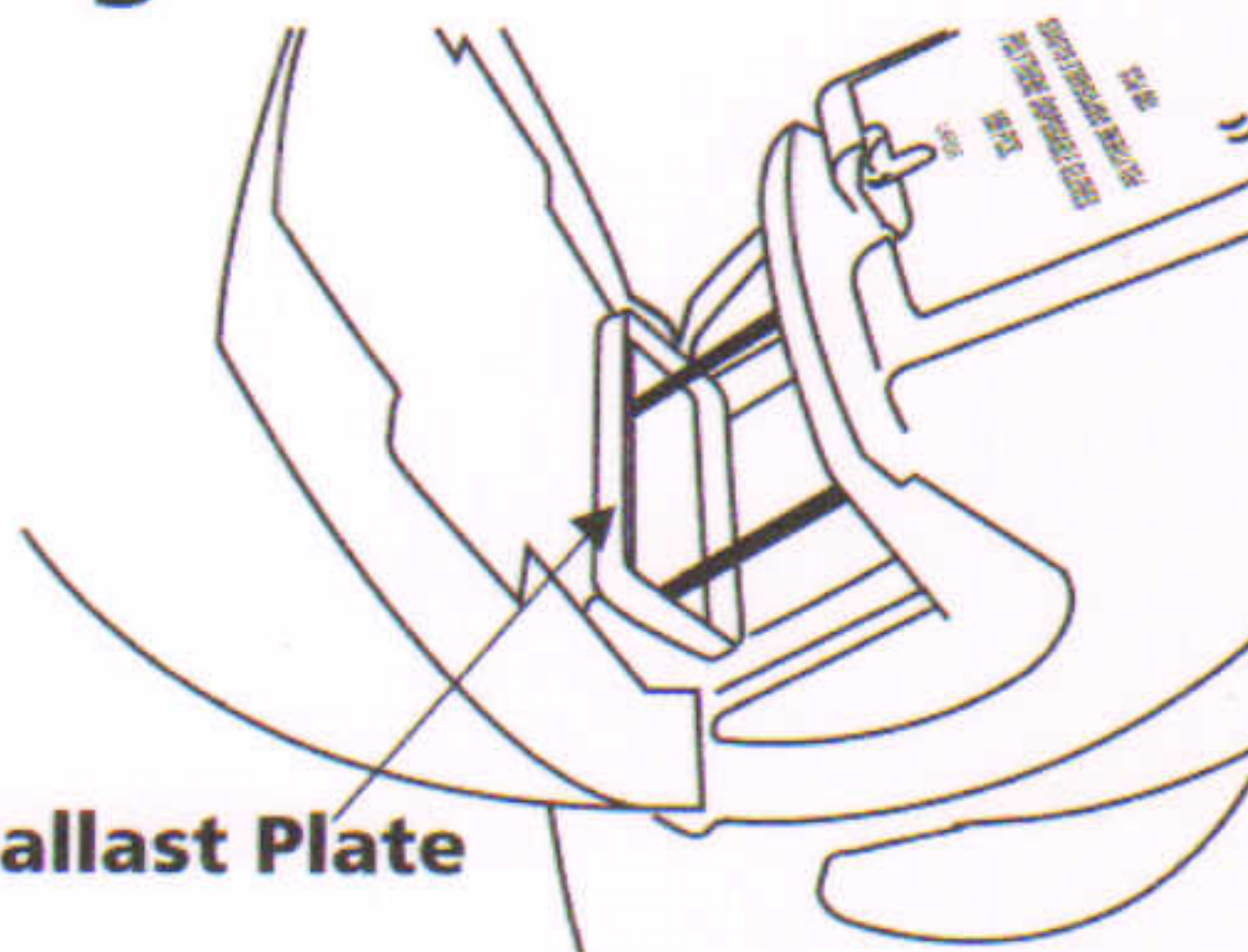


Fig. 5

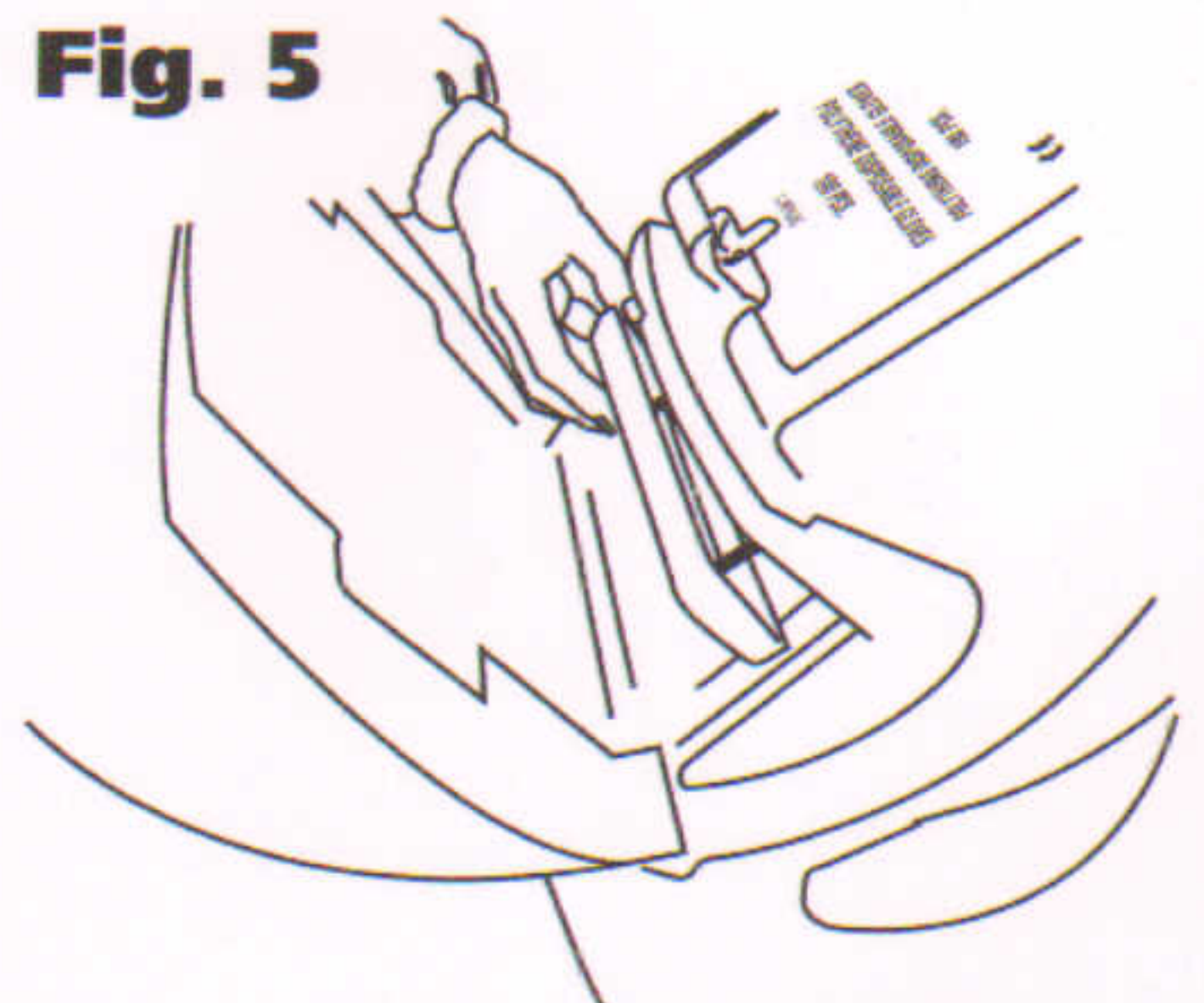


Fig. 6

The towels must be placed in the unit with the open 'C' fold facing down the slope of the unit (Fig 6.)

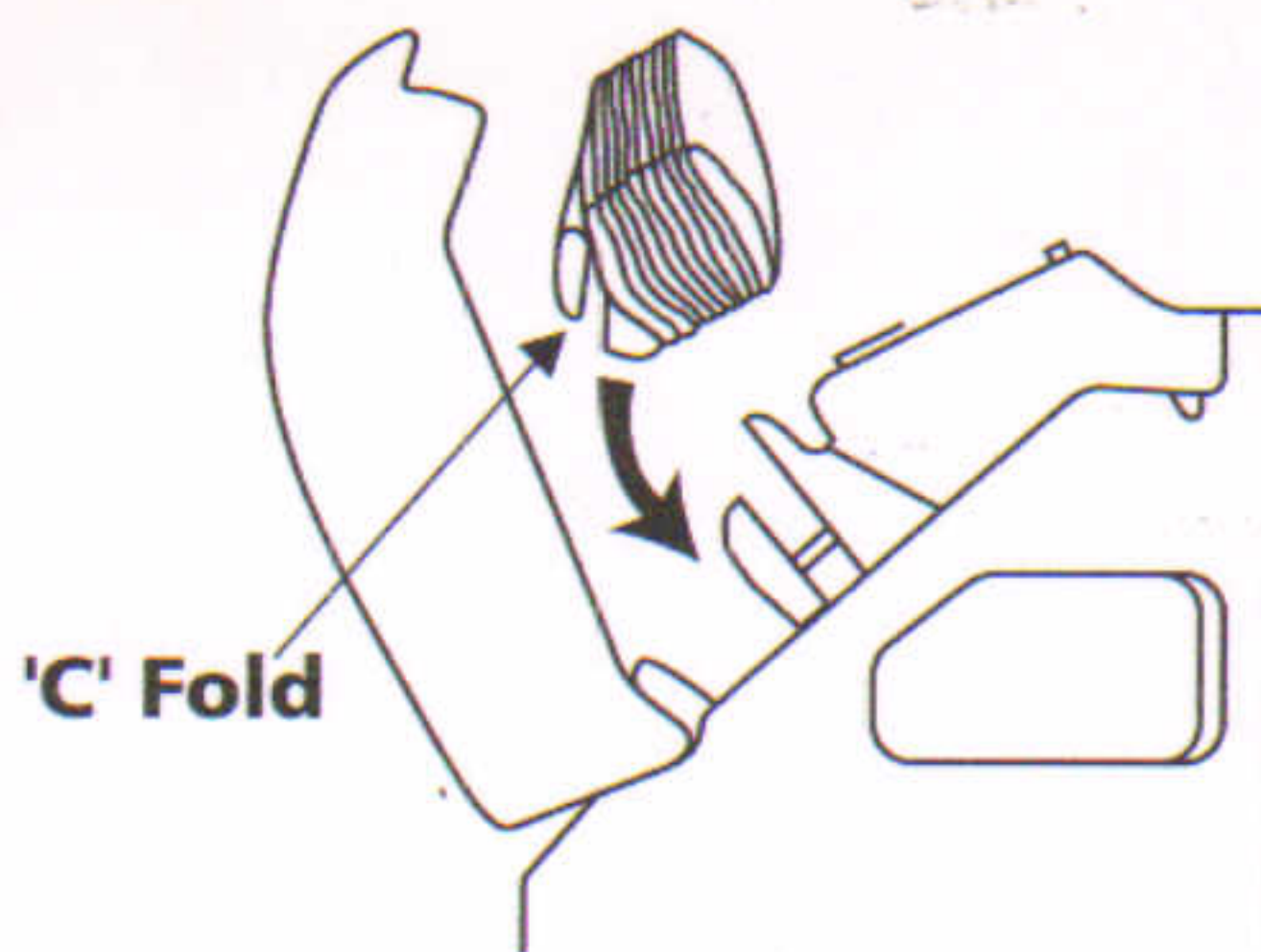
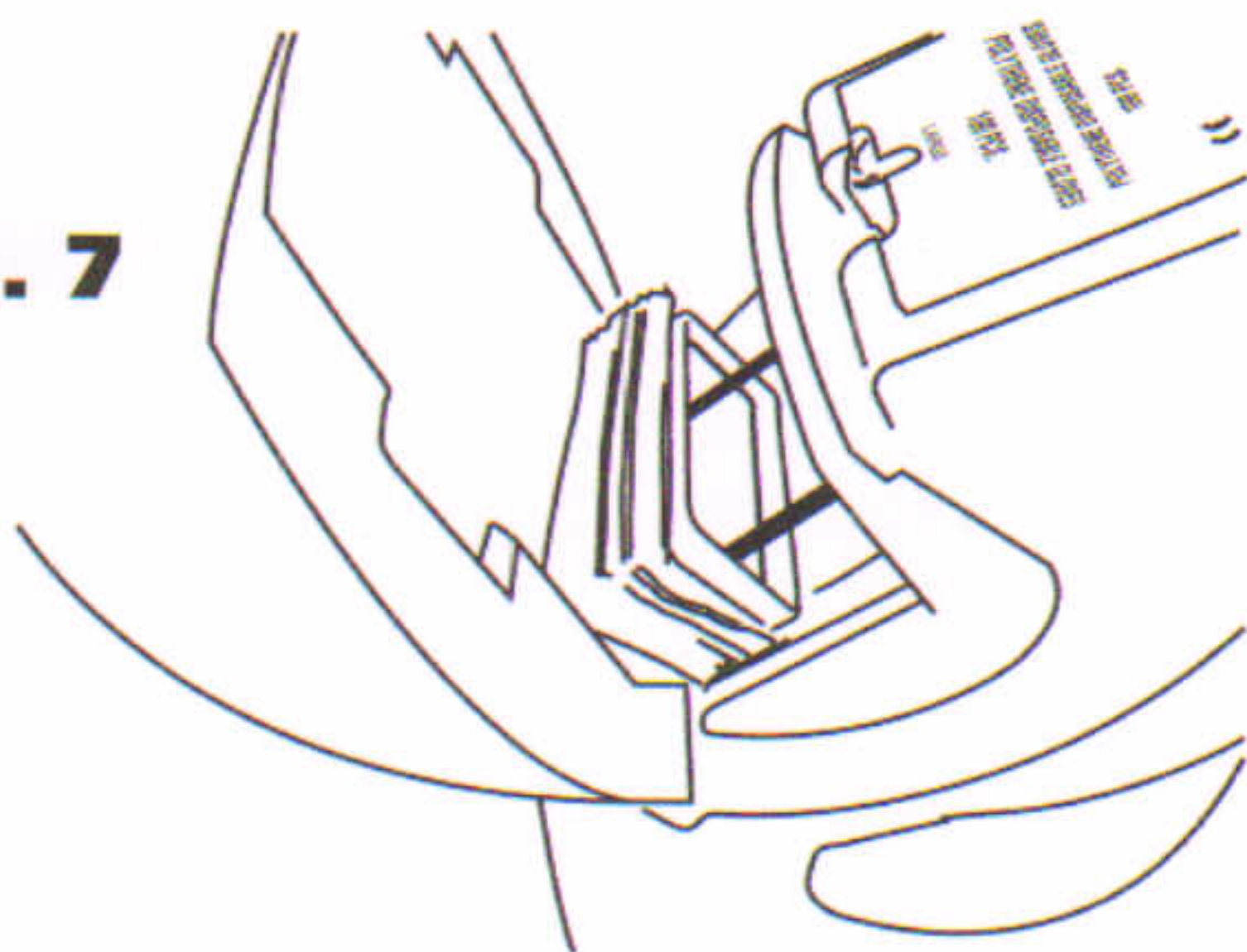


Fig. 7



Once the towels are in place ensure they are flat against the lower surface of the towel aperture. The ballast plate will automatically keep the towels in position. (Fig 7.)

Fig. 8



Close the cover & lock the hood in place by turning the twist lock clockwise ready to use as shown in (Fig 8.)

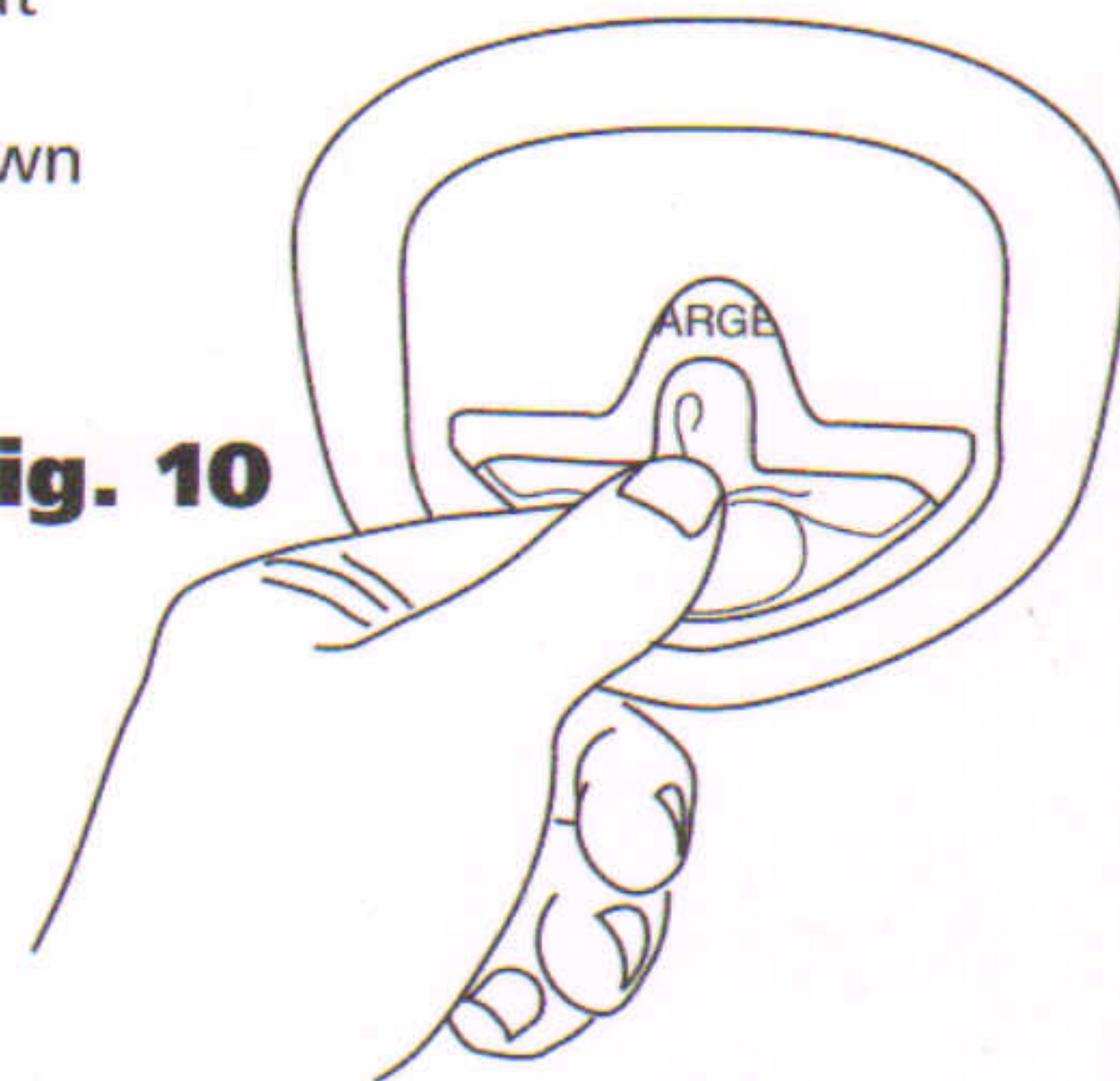
SECTION 3 USING THE TOWELS & GLOVES

To ensure correct installation of the towels & gloves remove at least one of each from the dispensing apertures. As shown in (Figs 9 & 10).


Fig. 9



Fig. 10



- A planned maintenance schedule of regular inspection is recommended, replacing components as necessary.
- Replacement components are available direct from GLASDON.
- GLASDON cannot be held responsible for claims arising from incorrect installation, unauthorised modifications or misuse of the product.

 **Glasdon**, AUTO-MATE™ ARE TRADEMARKS OR REGISTERED TRADEMARKS OF GLASDON GROUP OR ITS SUBSIDIARIES IN THE U.K. AND OTHER COUNTRIES.



Glasdon®

Glasdon U.K. Limited

Preston New Road
BLACKPOOL
Lancashire
FY4 4UL

Tel: (01253) 600410
Fax: (01253) 792558
e-mail: sales@glasdon-uk.co.uk
web: www.glasdon.com

Issue 1 June 2006 Stock no. C000/0311
© Copyright June 2006

Glasdon reserve the right to alter specification without prior notice.