



# Seating



# NEW Elwood™ Seat



Elwood Seat with Dark Oak Ends and Brown Enviropol Slats.



Scan to see the Elwood product testing video.

- Environmentally friendly recycled materials.
- Minimum maintenance seat ends with realistic timber effect.
- Nine colour options.
- Ground fixing kit available for permanent installation.

Elwood seat combines traditional timber effect seat ends with hard wearing seat slats making it ideal for use in parks and open spaces.

Elwood slats are available in a choice of 100% recycled Enviropol® material or Timberpol® material and the ends are manufactured from long lasting Everwood™ material. This combination creates a strong seat with a unique, realistic timber-grain finish that requires minimal maintenance.

Elwood seat is vandal and weather resistant, it will not rot, warp or crack and does not need regular surface treatments.

The frame is manufactured from mild steel with an Armortec® corrosion-resistant coating to give added protection and a long service life.

### Co-ordinating Products

Elwood seat can be co-ordinated with the Sherwood™ litter bin and Glenwood™ post, providing you with a stylish and uniform range of street furniture.



Scan to see Elwood installed at Heriot Watt University.

Elwood Seat with Dark Oak Ends and Brown Enviropol Slats. Co-ordinating Sherwood Litter Bin and Glenwood 1000mm Posts in Dark Oak.

### Specifications

- Length: 1985mm
- Overall Depth: 675mm
- Seat Depth: 440mm
- Seat Height: 470mm
- Overall Height: 915mm
- Total seat weight including:
  - Enviropol slats: 75kg (ground fixed) 155kg (ballasted)
  - Timberpol slats: 85kg (ground fixed) 165kg (ballasted)
- Supplied fully assembled for immediate use.

### Materials

- Seat Slats: Recycled Enviropol or Recycled Timberpol
- Seat Ends: Everwood
- Seat Frame: Mild steel with Armortec coating

### Fixing Options

We strongly recommend ground fixing for safety and security.

Elwood seat is supplied as standard with surface fixing bolts for securing to a flat, level concrete base and tamper-resistant cover caps for added security.

Gravel ballasting is also available to provide additional security against unauthorised movement or theft.

### Elwood Colour Options

Seat Slat Colour Options: Black Enviropol, Brown Enviropol, Timberpol.  
Seat End Colour Options: Black Oak, Dark Oak, Light Oak.



Black Oak Ends



Dark Oak Ends

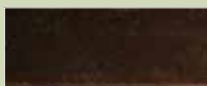


Light Oak Ends

### Material Options



Black Enviropol



Brown Enviropol



Timberpol



Everwood

- Environmentally friendly recycled materials.
- Vandal-resistant robust design.
- Never needs painting.
- Superb strength.
- Minimum maintenance - needs no surface treatment.
- Weather-resistant - will not rot.
- Long-lasting.
- Co-ordinates with other Glasdon street furniture.



Phoenix Seat with Black Enviropol slats.

## Phoenix Seat

The Phoenix seat is robustly designed with fully recycled end supports and slats. This heavy duty seat offers durability, weather-resistance and low maintenance.

End supports and frame are supplied in textured Black Enviropol material, seat slats are available in a choice of either Brown or Black Enviropol material or Timberpol material.

## Phoenix Seat with Armrests

The Phoenix seat with armrests is designed utilising Enviropol recycled material end supports. Seat slats are available in a choice of either Brown or Black Enviropol or Timberpol material. The armrests provide added comfort making it ideal for any outdoor seating area.

## Specifications

Length: 1790mm  
 Seat Height: 428mm  
 Depth: 574mm  
 Overall Height: 702mm  
 Total seat weight including:  
 Enviropol slats: 75kg  
 Enviropol slats: c/w 2 armrests 90kg  
 Timberpol slats: 79kg  
 Timberpol slats: c/w 2 armrests 94kg  
 Supplied fully assembled for immediate use.

## Fixing Options

We strongly recommend ground fixing for safety and security. Phoenix seats are supplied as standard with surface fixing bolts for securing to a flat, level concrete base.

Optional kits are also available for fixing to paving slabs or to suit below-ground concrete foundations.

Tamper-resistant cover caps are also available for added security.



Phoenix Seat with Black Armrests and Brown Enviropol slats.



Scan to see the product testing video.



Scan to see Phoenix Seats at St. Aidan's College.



Phoenix Seat with Timberpol slats.



Phoenix Seat with Black Enviropol slats.

## Material Options



Black Enviropol



Brown Enviropol



Timberpol

# Phoenix Jubilee™ Seat



Phoenix Jubilee Seat with Brown Enviropol Slats.

- Environmentally friendly recycled materials.
- Vandal-resistant robust design.
- Never needs painting.
- Superb strength.
- Minimum maintenance - needs no surface treatment.
- Weather-resistant - will not rot.
- Long-lasting.
- Co-ordinates with other Glasdon street furniture.



Phoenix Jubilee Seat with Brown Enviropol Slats.

Phoenix Jubilee seat combines environmental awareness and aesthetics.

The seat offers superb strength with minimal maintenance. Black Enviropol® material seat ends are standard and the slats are available in a choice of Brown or Black Enviropol® material or Timberpol® material.

The seat frame is manufactured in mild steel with an Armortec® corrosion-resistant coating to give added protection and a long service life.

### Specifications

Length:	1970mm
Depth:	780mm
Seat Height:	460mm
Overall Height:	880mm
Total seat weight including:	
Enviropol slats:	115kg
Timberpol slats:	119kg
Supplied fully assembled for immediate use.	

### Fixing Options

We strongly recommend ground fixing for safety and security.

Phoenix Jubilee seats are supplied as standard with surface fixing bolts for securing to a flat level concrete base.

Optional kits are also available for fixing to paving slabs or to suit below-ground concrete foundations.

Tamper-resistant cover caps are also available for added security.



Phoenix Jubilee Seat with Black Enviropol Slats.



Phoenix Jubilee Seat with Black Enviropol Slats.

### Seat Material Options



Black Enviropol



Brown Enviropol



Timberpol

- Environmentally friendly recycled materials.
- Vandal-resistant robust design.
- Never needs painting.
- Superb strength.
- Minimum maintenance - needs no surface treatment.
- Weather-resistant - will not rot.
- Long lasting.
- Co-ordinates with other Glasdon street furniture.



Brown Enviro-pol Picnic Table.

An attractive and functional Picnic Table, which will withstand heavy use in any outdoor environment.

Can be left free standing or bolted down. A special model is also available which allows for wheelchair access.

Available in a choice of Black or Brown Enviro-pol material, or an Enviro-pol frame with Timberpol slats.

### Specifications

	Picnic Table	Wheelchair Access Option
Overall Length:	1790mm	1790mm
Seat Length:	1790mm	1450mm
Height:	768mm	768mm
Seat Height:	458mm	458mm
Depth:	1310mm	1310mm
Total weight including:		
Enviro-pol slats:	140kg	131kg
Timberpol slats:	150kg	140kg
Both options supplied fully assembled for immediate use.		



Picnic Table with Brown Enviro-pol frame and Timberpol slats.



Scan to see installation in Pembrokeshire, West Wales.

### Fixing Options

We strongly recommend ground fixing for safety and security.

An optional surface fixing kit is available for securing Picnic Tables to a flat, level concrete base or to paving slabs. However, this kit is supplied as standard with the wheelchair access version.

Tamper-resistant cover caps are also available for added security.



Brown Enviro-pol Picnic Table wheelchair access model.



Black Enviro-pol Picnic Table.



Scan to see Picnic Tables installed at Nell Bank, Ilkley.



### Material Options



# Eco-Rest™ Seat & Bench

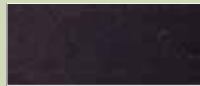


Eco-Rest Seat with Black Enviropol Slats.



Eco-Rest Bench with Black Enviropol Slats.

## Seat Material Options



Black Enviropol



Brown Enviropol

The Eco-Rest range comprises Enviropol® material sections with two steel frame supports. All slat fastening nuts have a tamper-resistant feature to prevent unauthorised removal of sections.

Available in Black or Brown Enviropol slats with Black metal end-supports. (Ground fixing recommended.)

## Specifications

	Seat	Bench
Overall Length:	1790mm	1790mm
Depth:	586mm	410mm
Seat Height:	435mm	422mm
Overall Height:	771mm	422mm
Weight:	60kg	55kg

Supplied fully assembled for immediate use.

## Fixing Options

We strongly recommend ground fixing for safety and security.

An optional surface fixing kit is available for securing Eco-Rest seat & bench to a flat, level concrete base or to paving slabs.

An alternative fixing kit is offered to suit below-ground concrete foundations.

Tamper-resistant cover caps are also available for added security.

# Countryside™ Seat & Bench

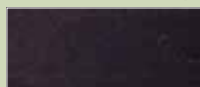


Countryside Seat with Timberpol Slats.



Countryside Bench with Brown Enviropol Slats.

## Seat Material Options



Black Enviropol



Brown Enviropol



Timberpol

The Countryside range comprises Enviropol or Timberpol® material sections with two steel frame supports. All slat fastening nuts have a tamper-resistant feature to prevent unauthorised removal of sections.

Available in a choice of Black or Brown Enviropol or Timberpol slats, with Black metal end-supports. (Ground fixing recommended.)

## Specifications

	Seat	Bench
Overall Length:	1790mm	1790mm
Depth:	632mm	460mm
Seat Height:	430mm	430mm
Overall Height:	790mm	430mm
Total weight including:		
Enviropol slats:	70kg	55kg
Timberpol slats:	78.5kg	56kg

Supplied fully assembled for immediate use.

## Fixing Options

We strongly recommend ground fixing for safety and security.

An optional surface fixing kit is available for securing Countryside seat & bench to a flat, level concrete base or to paving slabs.

An alternative fixing kit is offered to suit below-ground concrete foundations. Tamper-resistant cover caps are also available for added security.

- Vandalex slats with timber-effect paint finish.
- Fire-resistant.
- 100% recycled material slats.
- Vandal-resistant, robust design.
- Minimum maintenance.
- Weather-resistant materials.
- Co-ordinates with other Glasdon street furniture.



Fusion Seat with Black Finish.

Fusion seat and bench are constructed from strong and durable Vandalex® material slats with either a stylish Black or Silver finish or a realistic timber-effect finish. The timber-effect model is ideal for parks and open spaces, whilst the Black and Silver finishes will complement a wide variety of modern locations.

### Co-ordinating Products

Fusion seat and bench can be co-ordinated with the Fusion litter bin providing you with a stylish and uniform range of street furniture.

### Specifications

	Seat	Bench
Length:	1800mm	1800mm
Depth:	585mm	310mm
Seat Height:	430mm	425mm
Overall Height:	775mm	425mm
Weight:	33kg	19kg
Supplied fully assembled for immediate use.		

### Fixing Options

We strongly recommend ground fixing for safety and security.

An optional surface fixing kit is available for securing Fusion seat & bench to a flat, level concrete base or to paving slabs.

An alternative fixing kit is offered to suit below-ground concrete foundations. Tamper resistant cover caps are also available for added security.



Fusion Bench with Silver Finish.



Fusion Seat and co-ordinating Fusion Litter Bin in Dark Wood Finish.



Fusion Bench with Light Wood Finish.



Scan to see the abuse testing video.

### Seat Colour Options



Black Finish



Silver Finish



Dark Wood Finish



Light Wood Finish

# Stanford™ Seat & Bench



Stanford Seat with Black EnviroPol slats and personalisation plaques.

- 100% recycled aluminium seat ends.
- Traditional styling.
- Rigid steel frame.
- Vandal-resistant, robust design.
- Tamper-resistant construction.
- Minimum maintenance.
- Weather-resistant materials.
- Co-ordinates with other Glasdon street furniture.



Stanford Seat with Timberpol slats.

The Stanford seat complements heritage designs around parks and urban spaces.

It is traditionally styled with 100% recycled cast aluminium ends and a choice from two recycled material slats.

The seat is ideal for sitting in coastal areas or on the sea front. The frame is manufactured from mild steel with an Armortec® corrosion-resistant coating, which together with the cast aluminium coated seat ends, mean the Stanford seat offers a long service life.

### Specifications

Length: 1875mm  
 Depth: 715mm  
 Seat Height: 439mm  
 Overall Height: 864mm  
 Total seat weight including:  
 Timberpol Slats: 105kg  
 EnviroPol Slats: 96kg  
 Supplied fully assembled for immediate use.

### Fixing Options

We strongly recommend ground fixing for safety and security.

Stanford seat & bench are supplied as standard with surface fixing bolts for securing to a flat, level concrete base.

Optional kits are available for fixing to paving slabs or to suit below-ground concrete foundations.

Tamper-resistant cover caps are also available for added security.



Stanford Seat with Black EnviroPol slats.



Stanford Seat with Brown EnviroPol slats.

### Seat Material Options



Black EnviroPol



Brown EnviroPol



Timberpol



The Stanford bench offers traditional styling combined with the benefits of using modern and low-maintenance materials.

The bench is the perfect companion to the long-established Stanford seat and Stanford™ litter bin, which are hugely popular in parks and urban spaces where emphasis is given to preserving and restoring architectural heritage.

The bench conforms to current DDA guidelines for the seating height and its generous width can accommodate up to six people. The stylish armrests are a unique feature for a bench design. They provide excellent support for the user when sitting down or getting up and also act as a deterrent to skateboarders.

### Specifications

Length:	1891mm
Depth:	645mm
Seat Height:	468mm
Overall Height:	620mm
Total seat weight including:	
Timberpol Slats:	85kg
Enviropol Slats:	78kg



Stanford Bench with Timberpol slats.



Stanford Bench with Timberpol slats.

### Co-ordinating Products

Stanford seating can be co-ordinated with Stanford Brunel™ or Topsy Jubilee™ litter bins and Glasdon Manchester™ or Jubilee™ bollards, providing you with a stylish range of Victoriana street furniture.

**For more details about co-ordinating street furniture please contact our Sales Office on (01253) 600410.**



Stanford Seat with Black Enviropol slats and co-ordinating Brunel Litter Bin.

### Decorative Crest Personalisation

Personalised polycarbonate plaques can be supplied with your name, message or logo to fit the rectangular recessed area on each decorative seat or bench ends. In addition to this, a circular polycarbonate plaque can be fitted to the Stanford Seat. This can also be personalised with your name, message or logo.

**For more details and individual advice regarding personalisation please contact our Sales Office on (01253) 600410.**



# Traditional Seating

- Integrates well with natural surroundings.
- Traditional design, craftsman made.
- Perfect for tough environments.
- Hardwood from FSC®- certified plantations.
- Hardwearing & long lasting.
- Complements other Glasdon street furniture.

## Timber and the Environment

Timber is one of the world's few renewable natural resources and the long term interests of our forests are best served by actively supporting a well-managed timber industry which will always protect the forest from the threat of total clearance for agriculture.

## What is FSC®?

The Forest Stewardship Council (FSC®), founded in 1993, is an international, non-governmental organisation dedicated to promoting responsible management of the world's forests. It operates a system of forest certification and product labelling to identify wood from well-managed forests.

Forests are inspected by independent organisations and certified against strict standards. To be given FSC® certification, a forest must be managed in an environmentally appropriate, socially beneficial and economically viable manner. Only forests that meet these strict standards are then given FSC® certification and the timber allowed to carry the FSC® label.

**For Glasdon traditional seating we use only those suppliers who can prove sensitivity to environmental considerations and who purchase from sustainable sources.**

**All of our traditional seating products originate from FSC®- certified plantations.**



**The mark of responsible forestry**



# Westby™ Seat



- A generously proportioned, comfortable seat.

The Westby seat has been designed to provide maximum comfort. Constructed using generous sections of FSC® Hardwood.

### Specifications

Length: 1500mm  
Depth: 640mm  
Height: 900mm  
Seat Height: 455mm  
Weight: 35kg

Supplied fully assembled for immediate use.  
(Dimensions for hardwood seating are nominal.)

### Fixing Options for Traditional Seating

We strongly recommend ground fixing for safety and security.

An optional surface fixing kit is available for securing FSC® Hardwood seats to a flat, level concrete base or to paving slabs.

Tamper-resistant cover caps are also available for added security.

- A hard-wearing seat with a high quality appearance.

The Larbreck seat integrates well with natural surroundings. It features fully sculpted back rails giving a high degree of comfort.

Constructed from FSC® Hardwood, its strong structure is hard-wearing and long-lasting. The seat is supplied fully assembled for immediate use.



## Norbreck™ Seat

The Norbreck seat is similar in design to the Larbreck seat, but incorporates flat instead of curved armrests.

### Specifications

Length: 1500mm  
Depth: 640mm  
Height: 980mm  
Seat Height: 455mm  
Weight: 35kg  
Supplied fully assembled for immediate use.  
(Dimensions for hardwood seating are nominal.)

Norbreck Seat Armrest



## Rawcliffe™ Seat

- A heavyweight traditional seat.

Rawcliffe seats are constructed from FSC® Hardwood which will withstand all weathers. The classic design features smoothly contoured scrolled arms and a high seat back.

### Specifications

Length: 1500mm  
Depth: 660mm  
Height: 1070mm  
Seat Height: 470mm  
Weight: 40kg  
Supplied fully assembled for immediate use.  
(Dimensions for hardwood seating are nominal.)



# Commemorative Plaques



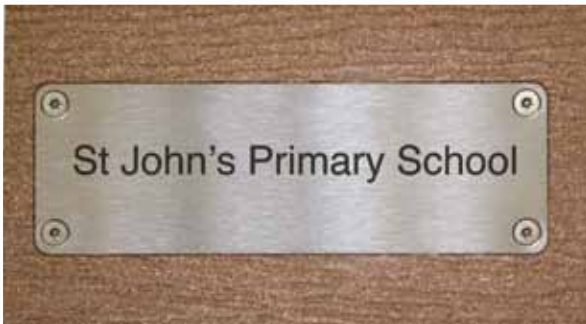
The provision of a seat dedicated to a lost loved one is a thoughtful way to pay tribute and benefits the whole community.

The majority of Glasdon seats can be supplied with a stainless steel plaque that is laser etched with any dedication you would like. The plaques are usually 150mm wide and 50mm high (plaques on the Stanford Seat are limited to 40mm high), though 200mm long plaques can be used if needed. Laser etching allows much greater flexibility for your message – alternative engraving methods are generally stuck to a fixed font and a maximum number of characters, but with laser etching we can even include simple graphics. We can also fit multiple plaques to the same seat if needed.



Some local authorities run their own schemes for the centralised purchase of memorial seats. If you would like your seat to be located on public land (such as parks, beachfronts, or cemeteries/memorial gardens), you should always contact your council to discuss whether your idea is permitted. Many authorities require specific Glasdon seats to be used – popular choices are the Stanford Seat or the Phoenix Seat, which are extremely hard wearing and require almost no maintenance. Local authorities will frequently handle the ordering process for you, arranging to receive delivery and install the seat at your agreed location.

When you order your memorial seat from Glasdon, we will take the wording and produce a computer visual that will be posted or e-mailed to you before we produce the plaque to make sure it is exactly what you want. When it is, sign the approval sheet and send it back to us, and we will have the plaque engraved as quickly as possible. The ordering process usually takes 4-6 weeks from beginning to end.



The Glasdon seats available for use with memorial plaques are made from attractive and durable materials. Our hardwood outdoor seats carry FSC® Chain of Custody Certification, which ensures that all the wood we use, has been produced ethically and sustainably. A large number of our seats are made from recycled materials – Enviropol® material is a self-coloured premium polymer that never needs any painting or surface treatment. Timberpol® material is a recycled composite, containing a minimum of 70% recycled hardwood sawdust and recycled polypropylene. The natural wood content of Timberpol Material means its finish will “weather” slightly over its life like a hardwood seat, but no painting or varnishing will ever be required.

*For more information on this service, including prices, please telephone our Sales Office on 01253 600410.*

## Decorative Crest Personalisation



Personalised polycarbonate plaques can be supplied with your name, message or logo to fit the recessed areas on each Stanford seat end.



- Three sizes available - 600mm, 1200mm, 1800mm seat lengths.
- Choice of Enviropol® material, Timberpol® material or stainless steel seat pans.

The range of Carleton perch seats consists of three models: 600, 1200 and 1800.

They are designed for wall-mounting as individual seating or beneath the Carleton canopy.

Manufactured using 100% recycled cast aluminium ends and a choice of 316 grade stainless steel, Black or Brown Enviropol material or Timberpol material for the seat pan.

### Co-ordinating Products

Carleton perch seat can be co-ordinated with the Carleton canopy.

### Specifications

Model:	600	1200	1800
Length:	676mm	1276mm	1866mm
Depth:	216mm	216mm	216mm
Height:	305mm	305mm	305mm
Weights:			
Stainless Steel:	8kg	10kg	12kg
Enviropol:	13kg	22kg	31kg
Timberpol:	14kg	23kg	32kg

Recommended fixing height to the top of each seat above ground is 750mm.  
Supplied fully assembled ready for wall-mounting by our customers.

### Fixing Options

The Perch seat is supplied with wall fixings suitable for solid walls of adequate strength.

Although most solid and cavity walls can typically support the Perch seats, they should be assessed for adequate strength and stability by a suitably qualified person.

There are a number of other anchors and resin fixings that are suitable for particular site conditions, and the appropriate fixing type should be chosen.

Tamper-resistant cover caps are also available for added security.



Carleton Perch Seat Model 1800 c/w Stainless Steel seat pan.



Carleton Perch Seat Model 1800 c/w Stainless Steel seat pan with co-ordinating Carleton Canopy and Ashmount SG® Cigarette Waste Bin.

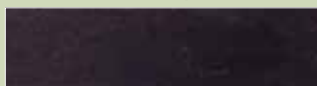


Carleton Perch Seat Model 1800 c/w Stainless Steel seat pan.



Carleton Perch Seat Model 1200 c/w Brown Enviropol seat pan.

### Seat Material Options



Black Enviropol



Brown Enviropol



Timberpol



Stainless Steel 316 Grade

# Nouveau™ Seat & Bench



Red Nouveau Seat with Black Enviropol slats.

- Contemporary style, steel frame seating with Enviropol® material slats.
- Ideal for modern surroundings.
- Rigid steel frame.
- Vandal-resistant, robust design.
- Tamper-resistant construction.
- Minimum maintenance.
- Weather-resistant.

The Nouveau seat and bench combine a contemporary-style steel frame with rustic recycled slats.

### Specifications

	Seat	Bench
Length:	1830mm	1830mm
Depth:	656mm	501mm
Seat Height:	420mm	440mm
Overall Height:	816mm	480mm
Weight:	120kg	80kg
Supplied fully assembled for immediate use.		



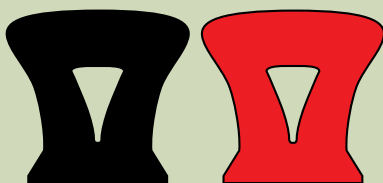
Black Nouveau Bench with Brown Enviropol slats.



Black Nouveau Seat with Black Enviropol slats.

### Nouveau Seat & Bench Options

#### Seat & Bench End Colours



STANDARD COLOURS  
Black or Red end sections

#### Seat Material Options



Black Enviropol



Brown Enviropol (with black frame only)

### Fixing Options

#### Nouveau Seat & Bench, Classico Seat & Bench and Metro Seat & Bench

We strongly recommend ground fixing for safety and security. The seats & benches are supplied as standard with surface fixing bolts and tamper-resistant cover caps for securing to a flat, level concrete base.

Optional kits are also available for fixing to paving slabs or to suit below-ground concrete foundations.

# Classico™ Seat & Bench

- Contemporary style, steel frame seating with Timberpol® material slats.

The Classico seat and bench combine solid Timberpol slats with a robust steel frame construction to create a classic design.

## Specifications

	Seat	Bench
Length:	1830mm	1830mm
Depth:	656mm	501mm
Seat Height:	420mm	440mm
Overall Height:	816mm	480mm
Weight:	120kg	83.5kg

Supplied fully assembled for immediate use.



Black Classico Seat with Timberpol slats.



Black Classico Seat with Timberpol slats.

## Classico Seat & Bench Options

### Seat & Bench End Colour



STANDARD COLOURS  
Black end sections

### Seat Material Option



Timberpol

# Metro™ Seat & Bench

- Contemporary seating with an all-steel construction.

The Metro seat and bench are manufactured from strong, perforated mild steel and the framework uses rigid steel. All components are treated with an Armortec® corrosion-resistant coating to ensure the seat will maintain its attractive appearance for many years.

## Specifications

	Seat	Bench
Length:	1830mm	1830mm
Depth:	656mm	501mm
Seat Height:	420mm	440mm
Overall Height:	816mm	480mm
Weight:	95kg	65kg

Supplied fully assembled for immediate use.



Black Metro Bench.



Red Metro Bench.

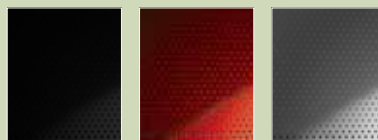
## Metro Seat & Bench Options

### Seat & Bench End Colours



STANDARD COLOURS  
Black, Red and Silver Grey end sections

### Seat Material Options



Black

Red

Silver Grey

# Alturo™ Seat & Bench



- Stylish, contemporary appearance.
- Corrosion free.
- Vandal-resistant, robust design.
- Choice of 4 colour schemes.
- Multiple armrest configurations.

Alturo seat and bench combine aluminium seat pans/back rests with cast aluminium ends to create stylish and durable seating.

All components are treated with an Armortec® corrosion resistant coating for added protection.

Available with 2, 4 or no armrests.

### Specifications

	Seat	Bench
Length:	1715mm	1715mm
Depth:	550mm	430mm
Seat Height:	510mm	520mm
Overall Height:	875mm	520mm
Weight (without armrests):	31.9kg	20.3kg
Additional armrest weight:	1.5kg each	1.5kg each

Supplied fully assembled for immediate use.



Scan to see how Alturo Seat has benefited Bristol Airport.



Image Copyright David Martin. This work is licensed under the Creative Commons Attribution-Share Alike 2.0 Generic Licence.



Alturo Seat with 2 no. Mid Armrests.



Alturo Armrests.



- Stylish, contemporary appearance.
- Corrosion free.
- Vandal-resistant, robust design.
- Choice of 4 colour schemes.
- Multiple armrest configurations.

The contemporary design and strong, all metal construction of Venturo provides ideal seating for a variety of locations.

Venturo seats and benches are available in a choice of five colour schemes and can be fitted with two additional armrests if required.

### Specifications

	Seat	Bench
Length:	1800mm	1800mm
Depth:	535mm	415mm
Seat Height:	500mm	500mm
Overall Height:	850mm	660mm
Weight (without armrests):	34.5kg	22.3kg
Additional armrest weight:	1.4kg each	1.4kg each
Supplied fully assembled for immediate use.		



Scan to see Venturo at Yorkshire Wildlife Park.

### Alturo & Venturo Seat & Bench Options

#### Standard Colour Combinations

Seat Pan & Back Rest	Seat Ends & Armrests
Black	Black
Silver	Black
Black	Dark Grey
Silver	Dark Grey



### Materials

#### ALTURO

Seat pan/back rest/end supports/armrests: Aluminium with Armortec coating.

#### VENTURO

Seat pan/back rest: Aluminium with Armortec coating.  
End supports/armrests: Steel with Armortec coating.

### Fixing Options

We strongly recommend ground fixing for safety and security. Alturo & Venturo seat and bench are supplied as standard with surface fixing bolts and tamper-resistant cover caps for securing to a flat, level concrete base.

Optional kits are also available for fixing to paving slabs or to suit below-ground concrete foundations.



# Junior Countryside™ Seat, Bench & Picnic Table



Junior Countryside Seat with Timberpol slats.

- Environmentally-friendly materials.
- Weather-resistant - will not rust.
- Minimum maintenance.
- Vandal-resistant, robust design.
- Tamper-resistant fixings prevent removal of slats.

The Junior Countryside range is manufactured from tough, hardwearing Enviropol® or Timberpol® materials and consists of a seat, bench and picnic table. These products are designed especially for children and are ideal for children's play areas as they are robust and will not splinter.

## Co-ordinating Products

The Junior Countryside range incorporates the stylish, modern design of the full size Countryside range (please see Page 6 of this catalogue), therefore offering an extensive and co-ordinated range of seating. The seats will withstand severe weather conditions without regular maintenance and will not splinter, making it ideal for outdoor play areas.

## Specifications

	Seat	Bench	Picnic Table
Overall Length:	1790mm	1790mm	1790mm
Overall Height:	562mm	372mm	610mm
Depth:	430mm	306mm	1006mm
Seat Height:	372mm	372mm	372mm
Depth of Table Top:	n/a	n/a	450mm
Total weight including:			
Enviropol slats:	50kg	30kg	100kg
Timberpol slats:	56kg	31.5kg	114kg
Supplied fully assembled for immediate use.			



Junior Countryside Picnic Table with Timberpol slats.

## Materials

Seat Slats: Recycled Enviropol or Recycled Timberpol  
 Seat Ends: Mild steel with Armortec coating

## Fixing Options

We strongly recommend ground fixing for safety and security.

An optional surface fixing kit is available for securing Junior Countryside seat, bench and picnic table to a flat, level concrete base or to paving slabs. Tamper-resistant cover caps are included as standard.

An alternative fixing kit is offered to suit below-ground concrete foundations.

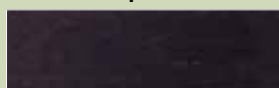


Junior Countryside Picnic Table with Black Enviropol slats.



Junior Countryside Bench with Black Enviropol slats.

## Material Options



Black Enviropol



Brown Enviropol



Timberpol

# Munchy™ The Caterpillar Seat

- Modular design can be expanded to add extra seating as required.
- No finger traps or sharp edges.
- Drainage slots ensure rainwater runs off quickly.

The friendly character and vibrant colours of Munchy provide an exciting and appealing seat for children. The interlocking system of Munchy seat ensures each module is securely locked together which provides no finger traps or sharp edges. The integrally moulded seats provide a comfortable area for the children to sit, with drainage slots to ensure rain water runs off quickly and minimises any pooling water on the seat.

The seat has a unique modular design which allows it to be installed in varying configurations to suit every environment and application. The standard model can seat four children, and can be assembled into either an 'S' or 'U' shape configuration. Additional body mouldings are available to create numerous configurations and to increase the number of seats (each body module provides two more seats).

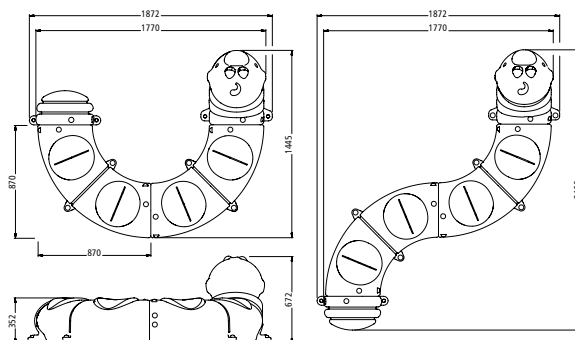
## Materials

Head/Body/Tail/Nose/Cover Caps: Durapol® material  
 Eyes: Duratec™ material Fixings: Mild Steel  
 Free Standing Feet: PVC

## Fixing Options

The Munchy seat can either be surface fixed using concrete anchor bolts or supplied with PVC feet for a free-standing application.

Sand ballasting is available for the free-standing option to provide additional security against unauthorised movement or theft.



## Specifications

Weights: Head: 5.9kg Tail: 3.0kg Body: 9.4kg Standard Model: 27.7kg

# Pixie™ Seat

Pixie seat is manufactured predominantly from recycled rubber tyres and provides an exciting, appealing seat for children as well as a fun prop for imaginative play.

The seat is delivered in two sections ready for self assembly and installation using a below-ground fixing post.

## Specifications

Seat Height: 400mm  
 Post length below ground: 400mm  
 Weight: 25kg (inc. 5kg fixing tube)  
 Supplied ready for self-assembly.

## Materials

Mushroom Stem: manufactured from 100% recycled black rubber tyres.  
 Mushroom Top: manufactured from rubber tyres. Red with Yellow Spots.



## Fixing Options

Supplied as standard with a below-ground, galvanized mild steel fixing tube. The fixing tube should be concreted 400mm into the ground for added safety and security before the seat is attached.



# Lo-Co™ Steam Train Seat



Lo-Co Steam Train seat is an exciting design that encourages creative play. Made from robust, impact resistant Durapol material, Lo-Co is suitable for indoor and outdoor use. Supplied as standard with non-marking PVC feet, Lo-Co can be used on a variety of surfaces and is easily moved to suit different activities. The different curves and textures provide interesting tactile surfaces and the optional sticker kits encourage children to interact with the seat.

### Specifications

Length: 1917mm  
 Depth: 500mm  
 Height: 495mm  
 Weight: 17.4kg  
 Supplied fully assembled for immediate use.

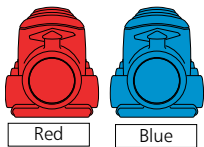
### Materials

Seat: Durapol Free Standing Feet: PVC

### Fixing Options

Lo-Co seat is supplied as standard with PVC feet for a free-standing application. An optional kit is also available for fixing to paving slabs or a concrete base.

### Seat Colours



### Optional Sticker Kits



**Animals**  
Includes 16 different stickers



**People Silhouettes**  
Includes 16 different stickers



**Plain Stickers (Red or Yellow)**  
Includes 16 stickers

# Treblo™ Seat



Treblo seat provides versatile seating for a variety of locations. The wedge shape allows the seats to form various layouts and they can be easily moved using the carry handles in the base. Made from robust, impact resistant Durapol material, Treblo is suitable for indoor or outdoor use and can be stacked for storage when not required. Non-marking PVC feet are fitted as standard and an optional ground fixing kit is also available.

### Specifications

Length: 910mm  
 Depth: 850mm  
 Seat Height: 369mm  
 Height: 490mm  
 Weight: 10kg  
 Supplied fully assembled for immediate use.

### Materials

Seat: Durapol  
 Free Standing Feet: PVC

### Fixing Options

Treblo seat is supplied as standard with PVC feet for a free-standing application. An optional kit is also available for fixing to paving slabs or a concrete base.

### Seat Colours



### Example Layouts



**Linear** 6 seats for 18 children  
**S-Shape** 9 seats for 27 children  
**Semi-circle** 7 seats for 21 children  
**Circle** 14 seats for 42 children

# NEW Calypso™ Seat, Bench & Picnic Table

- Environmentally-friendly materials.
- Weather-resistant – will not rust.
- Minimum maintenance.
- Vandal resistant, robust design.
- Tamper-resistant fixings prevent removal of slats.

The Calypso range is manufactured from tough, hardwearing Enviropol® material and consists of a seat, bench and picnic table. These products are designed especially for children and are ideal for children's play areas as they are robust and will not splinter.



## Specifications

	Seat	Bench	Picnic Table
Overall Length:	1790mm	1790mm	1790mm
Overall Height:	590mm	360mm	600mm
Depth:	420mm	210mm	980mm
Seat Height:	360mm	360mm	360mm
Depth of Table Top:	n/a	n/a	420mm
Weight:	32kg	21kg	72kg

## Calypso Colour Options

- Seat: An even mix of Red, Blue, Yellow and Green slats
- Bench: A choice of Yellow/Red, Red/Blue, Blue/Green, Green/Yellow slats
- Picnic Table: An even mix of Red, Blue, Yellow and Green slats

Other colour combinations are available, please contact our sales office for details.

## Materials

- Seat Slats: Recycled Enviropol
- Seat Ends: Mild steel with Armortec coating

## Fixing Options

We strongly recommend ground fixing for safety and security.

An optional surface fixing kit is available for securing Calypso seat, bench and picnic table to a flat, level concrete base or to paving slabs. Tamper-resistant cover caps are included as standard.

An alternative fixing kit is offered to suit below-ground concrete foundations.



# Materials

## Enviropol® Material

Enviropol recycled material was first introduced by Glasdon in 1993 and is predominantly produced from post consumer and industrial polythene, which includes used supermarket carrier bags. As a subsequent result of government initiatives to increase the availability of segregated uncontaminated waste for recycling, there have been significant advances in the control and separation of recyclable waste. Glasdon can therefore maintain strict controls over the recycled waste materials used to formulate Enviropol, which ensures that only those with the required physical properties are specified in the manufacture of our premium recycled product.



Black Enviropol



Brown Enviropol

### Enviropol® Benefits

The density, strength and weather-resistance of Enviropol will ensure a long, virtually maintenance-free service life. It is self-coloured and needs no painting or surface treatment. The material is resistant to chemical attack and impervious to water, frost and most corrosive substances. Enviropol is unaffected by brine, animal waste, bacteria, fungi and insects. It is also 100% recyclable when it reaches the end of its service life.

## Everwood™ Material

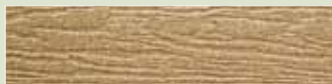
Everwood is a specially formulated blend of Durapol® material, which emphasises the grain-like appearance of timber. Unlike timber it requires no regular surface treatments such as staining or painting and the material will be unaffected by brine, bacteria, rot, mould and insects. Everwood is easy to clean, requires low maintenance and can be recycled at the end of its life. Like Durapol, it has been formulated to withstand extremes of temperature and is impact-tested in our Quality Assurance Laboratory as part of our BS EN ISO 9001:2008 test procedure.



Everwood

## Timberpol® Material

Timberpol material is a durable and strong composite material containing a minimum 70% recycled hardwood sawdust and recycled polypropylene. It is a remarkably versatile product with many benefits.



Timberpol

### Timberpol® Benefits

A great advantage of Timberpol is that whilst it looks like wood, it does not splinter and is knot-free, making it ideal for seating. It is self-coloured, but a certain amount of natural colour fading will initially occur as with all products containing timber. This does not affect the performance of Timberpol and no painting or varnishing is ever required during its long working life.

## Stainless Steel 316 Grade

Stainless Steel 316 grade (marine grade) is a highly durable and low-maintenance material. Even when located in areas of high salinity (e.g. coastal areas) it will exhibit only very slight evidence of corrosion.

No painting or coating is required, but the pristine appearance can be maintained by regular cleaning with warm soapy water. Any light staining that may occur on the surface can be removed with WD40 or an equivalent product. Alternatively, there are a number of proprietary stainless steel cleaners available. However, if used they must be low in chlorine or be spirit-based.

## Timber and the Environment

Timber is one of the world's few renewable natural resources and the long term interests of our forests are best served by actively supporting a well-managed timber industry which will always protect the forest from the threat of total clearance for agriculture.

For Glasdon traditional seating we use only those suppliers who can prove sensitivity to environmental considerations and who purchase from sustainable sources. All of our seating products originate from FSC®-certified plantations.

### What is FSC®?

The Forest Stewardship Council (FSC®), founded in 1993, is an international, non-governmental organisation dedicated to promoting responsible management of the world's forests. It operates a system of forest certification and product labelling to identify wood from well-managed forests.

Forests are inspected by independent organisations and certified against strict standards. To be given FSC® certification, a forest must be managed in an environmentally appropriate, socially beneficial and economically viable manner. Only forests that meet these strict standards are then given FSC® certification and the timber allowed to carry the FSC® label.



The mark of responsible forestry

## Armortec® Corrosion-Resistant Coating

All metal frame coatings are approved to the Glasdon 'Armortec' standard for durability and life expectancy. If the coating is damaged by scratching, corrosion will not spread further than the immediate area.

### Salt Spray and Impact Tests

*The Glasdon Armortec-coated post lasted 5 times longer than the other sample.*



Without Armortec Coating



With Armortec Coating

Both mild steel post samples were subjected to repeated impact with a metal hammer. This was followed by six months in a salt spray cabinet in the Glasdon Quality Assurance Laboratory.

The salt spray cycle is a very aggressive test that accelerates the corrosion process and simulates long term weathering in an outdoor environment.

## Durapol® Material

Durapol is an extremely robust material, which makes it ideal for use in the manufacture of various products. Durapol material is a polymer formulated to withstand extremes of temperature and is impact-tested in our Quality Assurance Laboratory as part of our BS EN ISO 9001:2008 test procedure. Durapol material will not chip or rust, is easy to clean and never needs painting.

Available in a choice of self-coloured options, including Black which contains recycled material.

## Vandalex® Material

Vandalex material is an aluminium alloy engineered to produce a high modulus of elasticity, which offers increased impact absorption properties. Its anodised finish will not rust, is easy to clean and never needs painting.

# Further Information

## Strength and Durability

All seating within the Glasdon range is rigorously tested by our in-house Quality Assurance Department for strength and durability, to ensure maximum protection against vandals and the elements.

We have accreditation with ISO 9001:2008 & ISO 14001, underlining our commitment to quality.



## Co-ordinated Ranges

Glasdon seating is designed to co-ordinate with litter bins and bollards within the full Glasdon product range.

*For more information on other Glasdon Products please contact our sales office on:*  
 tel: 01253 600410  
 fax: 01253 792558  
 or e-mail: [sales@glasdon-uk.co.uk](mailto:sales@glasdon-uk.co.uk)

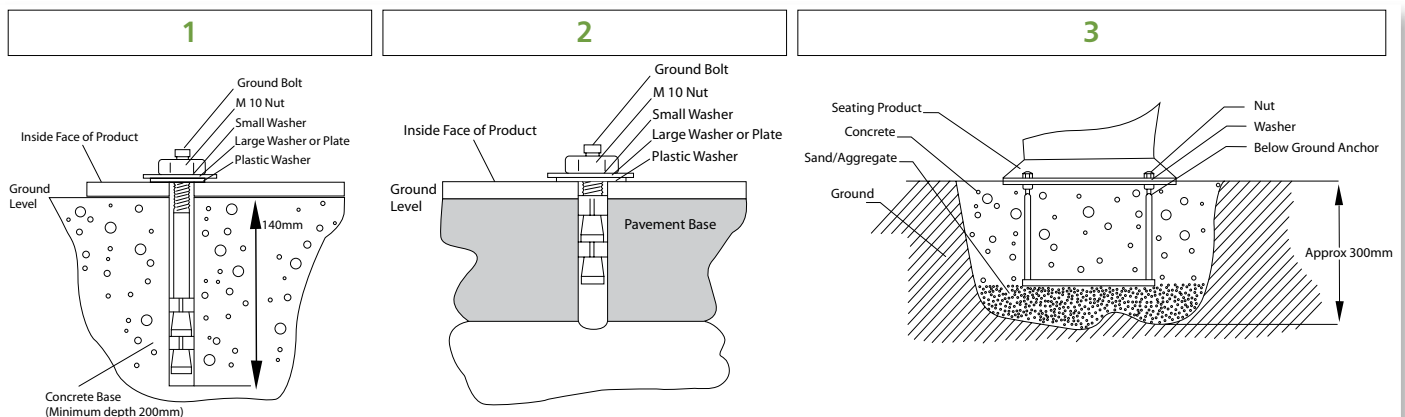


## Base Fixing Options

Most Glasdon seating can be supplied with different fixing kits suitable for either:

1. Fixing to a concrete base,
2. Fixing to paving slabs, or
3. Fixing into concrete pockets using below ground anchors (for grass or other soft ground).

*For more information please contact our Sales Office on 01253 600410.*



# Visit Our Websites

**[www.seatsandbenches.com](http://www.seatsandbenches.com)**

Visit our website to see the full range of seats and benches.

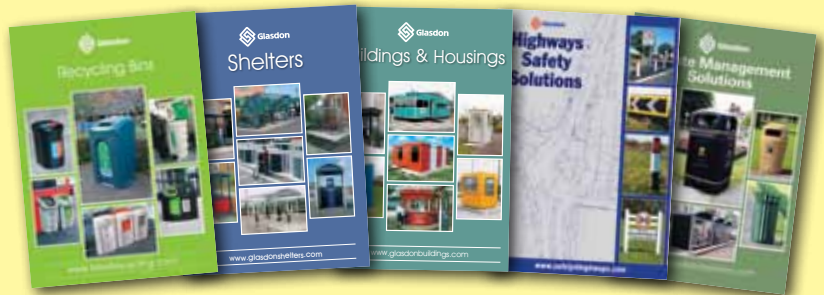


**[www.glasdon.com](http://www.glasdon.com)**

Visit our website to see the full Glasdon product range which includes Litter Bins, Recycling Bins, Shelters, Buildings & Housings, Cigarette Bins, Winter Safety Equipment and more!



**More detailed literature is available for many of our products. Please contact our Sales Office on 01253 600410 with your enquiry.**



**Glasdon U.K. Limited**

Preston New Road  
BLACKPOOL  
Lancashire  
FY4 4UL

Tel: (01253) 600410  
Fax: (01253) 792558  
e-mail: [sales@glasdon-uk.co.uk](mailto:sales@glasdon-uk.co.uk)  
web: [www.glasdon.com](http://www.glasdon.com)



ISO 9001  
BUREAU VERITAS  
Certification



Glasdon, Alturo, Armortec, Ashmount SG, Brunel, Calypso, Carleton, Classico, Countryside, Durapol, Duratec, Eco-Rest, Elwood, Enviropol, Everwood, Fusion, Glasdon Manchester, Glenwood, Jubilee, Junior Countryside, Larbreck, Lo-Co, Metro, Munchy, Norbreck, Nouveau, Phoenix, Phoenix Jubilee, Pixie, Rawcliffe, Sherwood, Stanford, Timberpol, Topsy Jubilee, Treblo, Vandalex, Venturo and Westby are trademarks or registered trademarks of GLASDON GROUP or its subsidiaries in the UK and other countries.

Glasdon Group Limited Is An Equal Opportunities Employer.

© Glasdon UK Ltd. 02/2015 Glasdon reserve the right to alter price and specification without prior notice. LH/NB



When you have finished with this leaflet please recycle it

**GS900/00**